



COMFORT FOR THE VISION



**VISOTTICA**  
GROUP

[visotticagroup.com](http://visotticagroup.com)





## SPECIFICATIONS AND COMPLIANCE

NOSE PADS	MATERIAL SPECIFICATIONS.....	8
	COMPLIANCE.....	10
	PERSONALIZATION RANGE.....	12
	INSERT SHAPES FOR PERSONALIZATION.....	14
	ORIENTATION SYSTEM.....	15



---

## NOSE PADS SYNOPTIC INDEX

	SYNOPTIC INDEX.....	16
--	---------------------	----





---

## STYLEMAX NOSE PADS

NOSE PADS	 MEM - MEDICAL EXCLUSIVE MATERIAL <b>neutral / personalized plastic</b> insert "C".....	24
	 MPM - MEDICAL PVC MATERIAL <b>neutral / personalized plastic</b> insert "C".....	25

---

## ERGOFEEL® SYSTEM · SELF ALIGNING

NOSE PADS	 MPM - MEDICAL PVC MATERIAL <b>neutral / personalized plastic</b> insert "C".....	28
	 MEM - MEDICAL EXCLUSIVE MATERIAL <b>neutral / personalized plastic</b> insert "C".....	30
PAD ARMS	SYNOPTIC INDEX.....	32
	 NICKEL SILVER 18% NI.....	
	 .32MONEL.....	35

---

## CHANGE FIT SYSTEM

PAD ARMS	 MONEL.....	38
----------	--	----

---

## BUTTON SYSTEM

NOSE PADS	■ MSM - MEDICAL SILICONE MATERIAL ..... 42
	■ MEM - MEDICAL EXCLUSIVE MATERIAL ..... 43

---

## SCREW AND CLICK SYSTEM

NOSE PADS	■ MPM - MEDICAL PVC MATERIAL	
	<b>no</b> insert neutral ..... 46	
	<b>neutral / personalized plastic</b> insert "C" ..... 48	
	<b>neutral / personalized plastic</b> insert Twin Pad ..... 51	
	■ MEM - MEDICAL EXCLUSIVE MATERIAL	
	<b>neutral / personalized plastic</b> insert "C" ..... 52	
	■ MSM - MEDICAL SILICONE MATERIAL	
	<b>neutral plastic</b> insert ..... 54	
	<b>personalized plastic</b> insert "U" ..... 54	
	<b>neutral plastic</b> insert Twin Pad ..... 58	

---

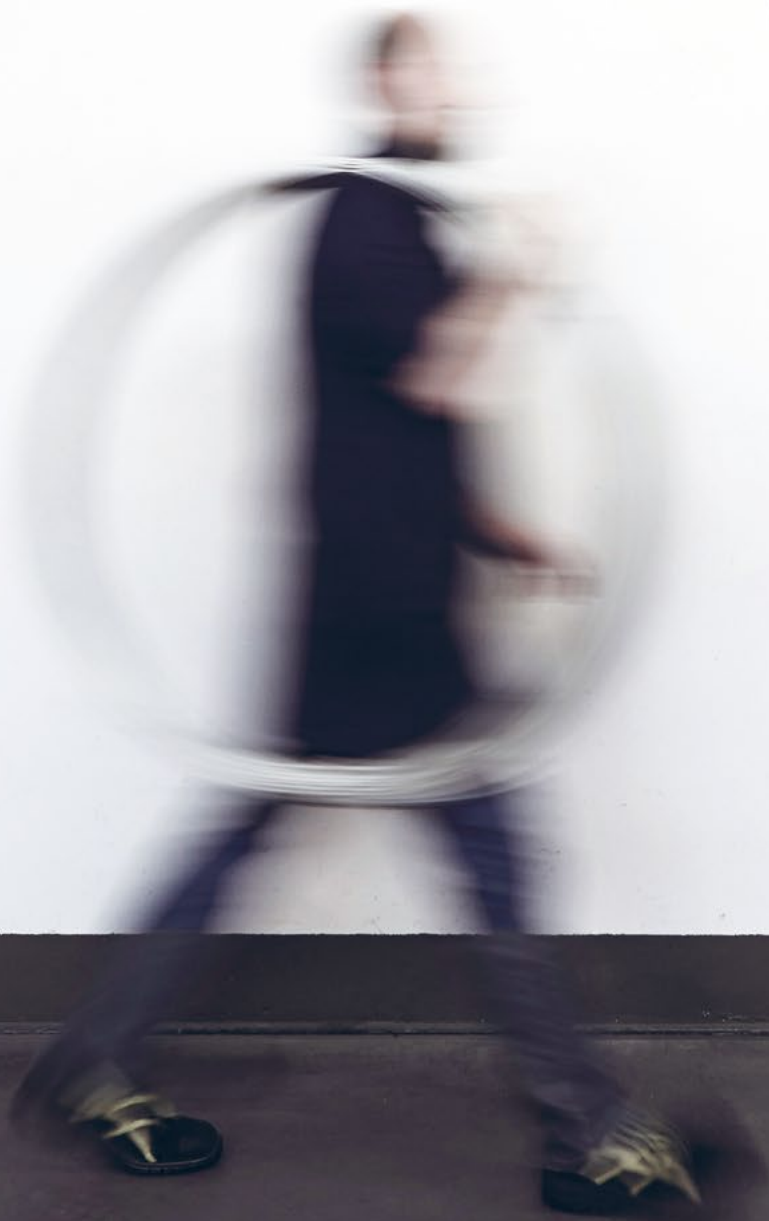
PAD ARMS	SYNOPTIC INDEX ..... 62
	■ NICKEL SILVER 18% NI ..... 66
	■ MONEL ..... 69
	■ TITANIUM ..... 70
	■ NICKEL SILVER 18% NI · For plastic frames ..... 71

---

## CUSTOMIZED PRODUCTS

FEATURED PRODUCTS ..... 74
----------------------------

VC





NOSE PADS & PAD ARMS

**Comfort for the Vision catalogue offers a wide choice of nose pads that ensure safe, comfortable and durable fit.**

Our Nose pads are monoblock (no insert) or overmolded (with plastic insert).

**A comprehensive range of shapes:** round, oval, tear drop, rectangular, D shape (Left and Right) in different sizes and thickness combined with:

- Different systems of assembly:

**SCREW  
CLICK  
ERGOFEEL®  
BUTTON**

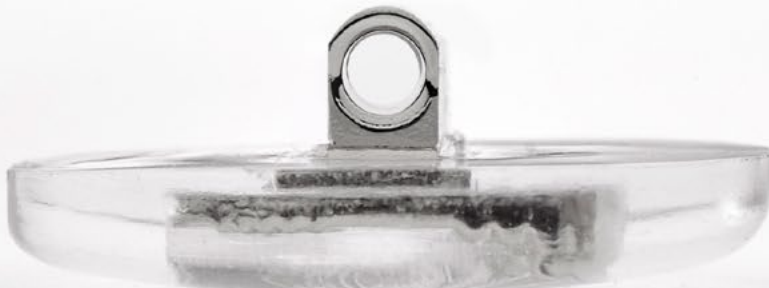
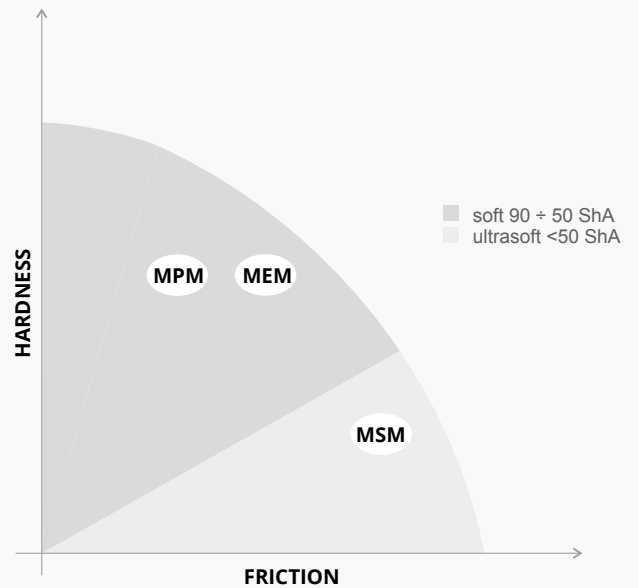
- Different materials in different shades of transparent crystal and hardness:

**MPM** - Soft Medical PVC Material, Crystal Cold  
**MEM** - Soft Medical Exclusive Material, Crystal Warm  
**MSM** - Ultrasoft Medical Silicone Material, Crystal Clear

- Different kinds of personalization on the insert:

**Ink Printing  
Hot Stamping  
Hot Stamping Engraving  
Galvanized Plastic Insert Engraving**

## GRAPHIC COMPARISON OF HARDNESS AND FRICTION





In addition to our comprehensive range of basic products and personalization we offer many customization options to meet your specific needs: special shapes, different types of inserts, different types of personalization, other types of materials and colours.

**MEM**  
MEDICAL EXCLUSIVE MATERIAL



MEM Respectful of Humans and the Environment



Recyclable



Energy Saver



Medical Grade Material

## MATERIAL FEATURES AND BENEFITS

### MPM - SOFT MEDICAL PVC MATERIAL

- Perfect clear transparence
- Easy to clean under water
- Highly smooth surface
- Soft for comfort
- Long-lasting lifetime
- Skin friendly, safe for the health, biocompatible

### MEM - SOFT MEDICAL EXCLUSIVE MATERIAL

- Clear transparence
- Easy to clean under water
- Highly smooth surface
- Soft and slight grip touch (anti-sliding) for increased comfort
- Longer lasting lifetime, high stability
- Skin friendly, biocompatible, Ecofriendly
- Safe for the Health, safe for the Environment

### MSM - ULTRASOFT MEDICAL SILICONE MATERIAL

- Clear transparence
- Smooth and ultrasoft material for best comfort
- Highly smooth surface
- Strong grip touch (anti-sliding)
- Skin friendly, safe for the health, biocompatible



**Visottica Group is keen on offering reliable NOSE PADS complying with international standards FOR PROTECTION OF HUMAN HEALTH AND THE ENVIRONMENT. The latest development, MEM material, is positioned at even a higher level than what is requested by regulations of the optical field.**

The nose pads shells are in direct and prolonged contact with the skin, making them a critical point of any frame. Visottica Group efforts are dedicated to protect the health of the final consumer by certifying the compliance of every material used, as well as securing the responsibility of the different members of the supply chain (manufacturers, brands and distributors, etc.).

## OUR NOSEPADS ARE IN COMPLIANCE WITH:

### REACH

Famous European comprehensive regulations of all chemicals.

### CPSIA

US Regulation limiting the content of many common substances (such as Phthalates and Lead).

### PROP. 65

Californian Regulation which regulates substances officially listed by California. Particularly in relation to BpA, our nose pads perfectly comply with "Safe Harbor Level" of 3 µg/day, under which clear and reasonable warnings are not needed. With the exception of GPIE personalized pads which consequently are not label free under PROP.65 regulation.

### CONFLICT MATERIALS

Regulating the use of minerals coming from countries affected by conflicts or extensive human rights violations.

### ISO 12870

Major requirements for unglazed spectacle frames designed for use with all prescription lenses. About NOSE PADS, the standard defines the method for testing the resistance to: perspiration, ignition, optical radiation. It defines the requirements for products intended to come into direct and prolonged contact with the skin (such as NOSE PADS shell):

### BIOCOMPATIBILITY

The Biocompatibility of new materials for NOSE PAD shell is guaranteed by passing three tests of ISO 10993 - "Biological Evaluation of Medical Devices": Cytotoxicity, Irritation and Sensitization. Concerning historical materials that have been used for years in the market, for which there are no clear evidence of allergic reactions, the BIOCOMPATIBILITY is verified with only Cytotoxicity test.





## Our Nosepads OUT-PERFORM mandatory regulations

We offer **Medical Grade Material** shells which grant higher safety and biocompatibility standards, following USP "CLASS VI" (US Pharmacopeia Standard).

**Our MEM - Medical Exclusive Material** is exceeding all above standards, in particular it is:

**Recyclable**

**Energy saver**

**Medical Grade**

**Respecting Humans and the Environment**

And it guarantees compliance with most of **Restricted Substance Lists** of the biggest players in the market.

More detailed information and declarations are available on our website  
[www.visotticagroup.com/en/download/compliance-declaration/](http://www.visotticagroup.com/en/download/compliance-declaration/)



## IP Ink Printing

on transparent plastic insert

### Logo

Red 186C

Black 6C

Grey 9C

Blue 295C

Green 343C

Other colours on request



## HS Hot Stamping

**Positive effect** logo on transparent plastic insert

### Logo

Matt Gold

Matt Silver

Shiny Gold

Shiny Silver



**Negative effect** transparent logo

### Background

Matt Gold

Matt Silver



## IPHS Ink Printing

on Hot Stamping

### Background

Matt Gold

Matt Silver

### Logo

Red 186C

Black 6C

Grey 9C

Blue 295C

Green 343C

Other colours on request





**DHS Double Hot Stamping**

**Combinations available**

Background	Logo
Matt Gold	Shiny Gold
Matt Gold	Shiny Silver
Matt Silver	Shiny Gold
Matt Silver	Shiny Silver



**HSE Hot Stamping Engraving**

**Logo in relief**, on transparent plastic insert

Logo
Matt Gold
Matt Silver
Shiny Gold
Shiny Silver



**Logo in hollow**, visible by transparency

Background
Matt Gold
Matt Silver



**GPIE Galvanized Plastic Insert Engraving**

with logo in relief or in hollow on matt-shiny combination

Not Prop.65 Label Free

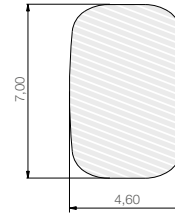
Colours
Gold
Silver



## ERGOFEEL® SYSTEM

### “C SHAPE” • Plastic Insert

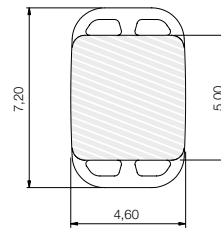
PERSONALIZATION AREA  
OF STANDARD INSERT  
FOR MPM PAD MATERIAL



ORIENTED  
NOT ORIENTED

### “W SHAPE” • Plastic Insert

PERSONALIZATION AREA  
OF STANDARD INSERT  
FOR MEM PAD MATERIAL

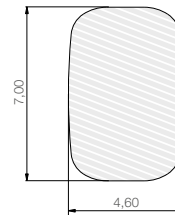


ORIENTED  
NOT ORIENTED

## SCREW AND CLICK SYSTEM

### “C SHAPE” • Plastic Insert

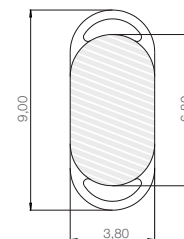
PERSONALIZATION AREA  
OF STANDARD INSERT  
FOR MPM AND MEM  
PAD MATERIAL



ORIENTED  
NOT ORIENTED

### “U SHAPE” • Plastic Insert

PERSONALIZATION AREA  
OF STANDARD INSERT  
FOR SILICONE PAD MATERIAL



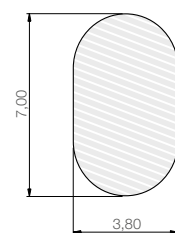
NOT ORIENTED

## ALTERNATIVE FOR SCREW AND CLICK SYSTEM

### “V SHAPE” • Plastic Insert

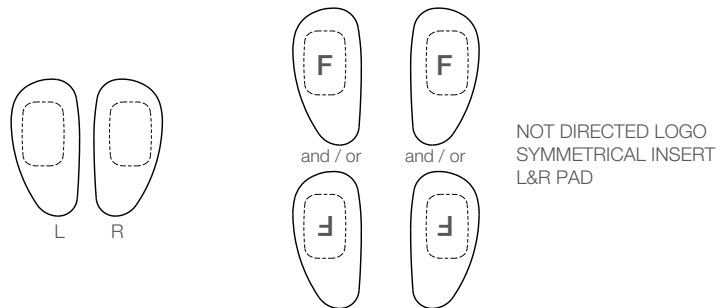
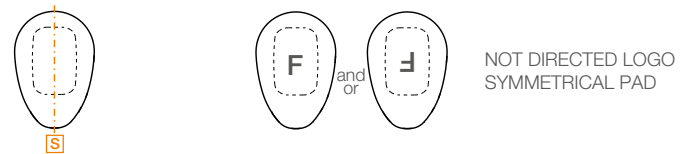
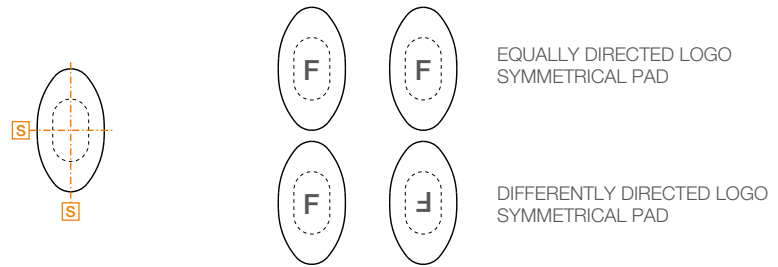
PERSONALIZATION AREA  
OF STANDARD INSERT  
FOR MPM PAD MATERIAL

• MOQ of 200,000 pairs

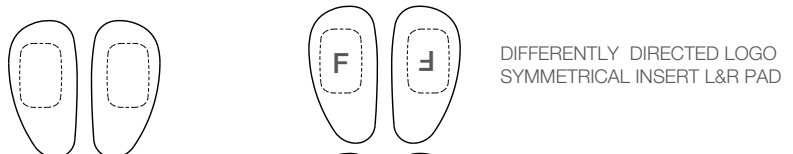
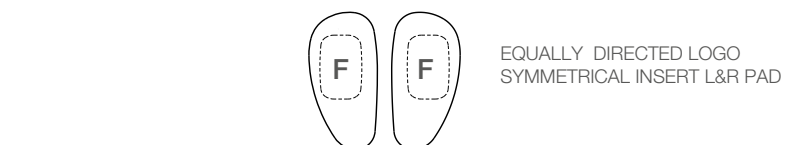
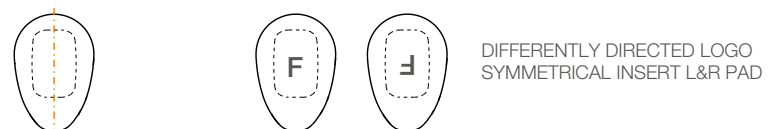
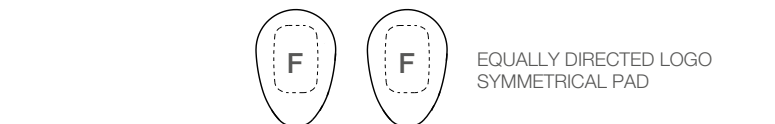
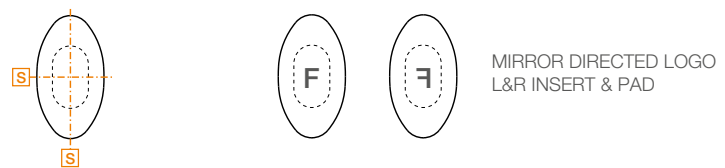


ORIENTED  
NOT ORIENTED


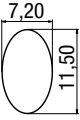
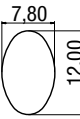
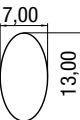
## NOT ORIENTED



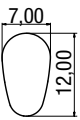
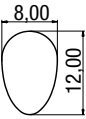
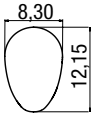
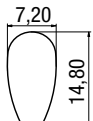
## ORIENTED



# SYNOPTIC INDEX NOSE PADS

	Shape	System	Thickness	MPM - MEDICAL PVC MATERIAL	MEM - MEDICAL EXCLUSIVE MATERIAL	MSM - MEDICAL SILICONE MATERIAL
Round Shape		BUTTON System	1,40			<b>73NP91511000</b> (p. 42)
Oval Shape		BUTTON System	1,75		<b>81NPCB850A1BYX</b> (p. 43)	
		SCREW System	1,35	<b>71NPC7950A1WYX</b> (p. 46)		
Oval Shape		BUTTON System	1,80			<b>73NP93145000</b> (p. 42)
		SCREW System	1,50			<b>73NP93013000</b> (p. 55)
		CLICK System	1,50			<b>73NP93012000</b> (p. 55)
Oval Shape		ERGOFEEL® System	1,75	<b>71NPC7024A1WYX</b> (p. 28)		
		SCREW System	1,50	<b>71NPC7956A1WYX</b> (p. 45)		
			1,60	<b>71NPC7901A1WYX</b> (p. 49)		
			1,90		<b>81NPC6302A1WYX</b> (p. 52)	
			2,00			<b>73NP90612000</b> (p. 56)
			2,30		<b>81NPCK959A1WNX</b> (p. 24) <b>81NPCK959A2WDX</b> (p. 24) <b>81NPCK959A3WUX</b> (p. 24)	
		CLICK System	1,60	<b>71NPC7902A1WYX</b> (p. 49)		
			1,90		<b>81NPC6303A1WYX</b> (p. 52)	
			2,00			<b>73NP90669000</b> (p. 56)
			2,30	<b>71NPCK961A1WNX</b> (p. 25) <b>71NPCK961A2WDX</b> (p. 25) <b>71NPCK961A3WUX</b> (p. 25)		

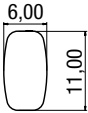
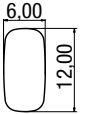
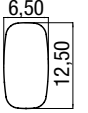
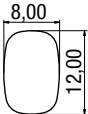
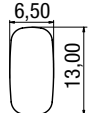


Shape	System	Thickness	MPM - MEDICAL PVC MATERIAL	MEM - MEDICAL EXCLUSIVE MATERIAL	MSM - MEDICAL SILICONE MATERIAL
	ERGOFEEL® System	1,75	<b>71NPC1339A1WYX</b> (p. 28)		
		1,90		<b>81NPCB890A1WYX</b> (p. 30)	
	SCREW System	1,75	<b>71NPC7922A1WYX</b> (p. 48)		
		1,90	<b>71NPCD684A1WYX</b> (p. 48)	<b>81NPC6298A1WYX</b> (p. 52)	
	CLICK System	1,75	<b>71NPC7923A1WYX</b> (p. 48)		
		1,90	<b>71NPC7924A1WYX</b> (p. 48)	<b>81NPC6299A1WYX</b> (p. 52)	
SCREW System	2,00			<b>73NPCE373A1WYX</b> (p. 54)	
CLICK System	2,00			<b>73NP93146000</b> (p. 54)	
	SCREW System	1,40	<b>71NPC7948A1WYX</b> (p. 46)		
	CLICK System	1,40	<b>71NPCD667A1WYX</b> (p. 46)		
	SCREW System	1,60	<b>71NPC7896A1WYX</b> (p. 48)		
	CLICK System	1,60	<b>71NPC7897A1WYX</b> (p. 48)		
	SCREW System	1,50			<b>73NP93135000</b> (p. 54)
		1,90	<b>71NPCD685A1WYX</b> (p. 49)		
	CLICK System	1,50			<b>73NP93136000</b> (p. 54)
		1,90	<b>71NPC7925AWYX</b> (p. 49)		
	ERGOFEEL® System	1,75	<b>71NPC4089A1WYX</b> (p. 28)		
		1,90		<b>81NPCB888A1WYX</b> (p. 30)	

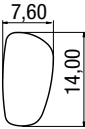
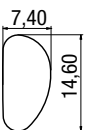
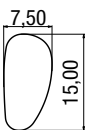

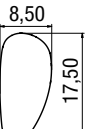
# SYNOPTIC INDEX NOSE PADS

Shape	System	Thickness	MPM - MEDICAL PVC MATERIAL	MEM - MEDICAL EXCLUSIVE MATERIAL	MSM - MEDICAL SILICONE MATERIAL
	SCREW System	1,60	<b>71NPC7914A1WYX</b> (p. 49)		
		1,90		<b>81NPC6304A1WYX</b> (p. 52)	
	CLICK System	1,60	<b>71NPC7913WYX</b> (p. 49)		
		1,90		<b>81NPC6305A1WYX</b> (p. 52)	
	SCREW System	2,20			<b>73NP91545000</b> (p. 55)
	CLICK System	2,20			<b>73NP90552000</b> (p. 55)

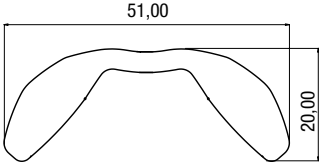
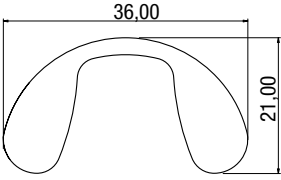
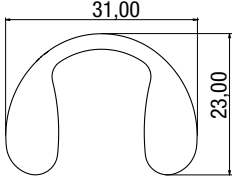
Teardrop Shape

Shape	System	Thickness	MPM - MEDICAL PVC MATERIAL	MEM - MEDICAL EXCLUSIVE MATERIAL	MSM - MEDICAL SILICONE MATERIAL	
Rectangular Shape		BUTTON System	1,70			73NP93151000 (p. 43)
		SCREW System	1,40	71NPB7955A1WYX (p. 47)		
		BUTTON System	1,70			73NPB0956A1WYX (p. 42)
		SCREW System	2,00			73NP93007000 (p. 56)
		CLICK System	2,00			73NP93006000 (p. 56)
		SCREW System	1,60	71NPCD668A1WYX (p. 47)		
		SCREW System	1,60	71NPC7900A1WYX (p. 50)		
		CLICK System	1,60	71NPC7899A1WYX (p. 50)		
		ERGOFEEL® System	1,75	71NPC1338A1WYX (p. 29)		
		SCREW System	1,90		81NPC6300A1WYX (p. 53)	
CLICK System		1,90		81NPC6301A1WYX (p. 53)		

# SYNOPTIC INDEX NOSE PADS

Shape	System	Thickness	MPM - MEDICAL PVC MATERIAL	MEM - MEDICAL EXCLUSIVE MATERIAL	MSM - MEDICAL SILICONE MATERIAL
	SCREW System	1,60	<b>71NPCD687A1WY0</b> (p. 50)		
	CLICK System	1,60	<b>71NPCD897A1WY0</b> (p. 50)		
	SCREW System	2,60			<b>73NP91555000</b> (p. 57)
	CLICK System	2,60			<b>73NP91548000</b> (p. 57)
	ERGOFEEEL® System	1,75	<b>71NPC1337A1WY0</b> (p. 29)		
	SCREW System	1,60	<b>71NPC7916A1WY0</b> (p. 50)		
		1,90		<b>81NPC6306A1WY0</b> (p. 53)	
	CLICK System	1,60	<b>71NPC7917A1WY0</b> (p. 50)		
		1,90		<b>81NPC6307A1WY0</b> (p. 53)	
		SCREW System	2,20		
CLICK System		2,20			<b>73NPC4544A1WY0</b> (p. 57)
	SCREW System	2,00	<b>71NPC7927A1WY0</b> (p. 51)		
	CLICK System	2,00	<b>71NPC7928A1WY0</b> (p. 51)		

"D" Shape

Shape	System	Thickness	MPM - MEDICAL PVC MATERIAL	MEM - MEDICAL EXCLUSIVE MATERIAL	MSM - MEDICAL SILICONE MATERIAL
	SCREW System	2,20	<b>71NPC7931A1WYX</b> (p. 51)		
	SCREW System	2,60			<b>73NP93119000</b> (p. 58)
	CLICK System	2,60			<b>73NP93117000</b> (p. 58)
	SCREW System	2,20			<b>73NP93128000</b> (p. 58)
	CLICK System	2,20			<b>73NP93129000</b> (p. 58)

Twin Pads



# STYLEMAX NOSEPAD

More space. Just fit. Just right.



## Features

- Patented anti-losing screw system
- Ensuring the screw does not drop or get lost.

PATENTED

## MEM - MEDICAL EXCLUSIVE MATERIAL

Neutral / Personalized plastic insert

VISOTTICA  
GROUP

OVAL SHAPE

13mm

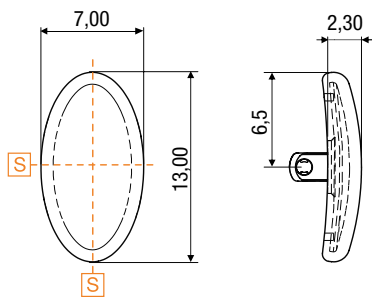
Regular Pad

**STYLE MAX**

**ANTI-LOSING SCREW SYSTEM**

Material: Soft MEM Crystal Warm

Insert: PC insert "C Shape"



Insert colour: NICKEL

SCREW SYSTEM 81NPCK959A1WDX

Insert colour: GOLD

SCREW SYSTEM 81NPCK959A2WDX

Insert colour: RUTHENIUM

SCREW SYSTEM 81NPCK959A3WUX



## Anti-losing screw system

Patented double groove anti-losing screw system holds the nose pad firmly in place, making sure the screw does not drop or get lost.



Stainless Screw for STYLE MAX pad arm  
Code: 07VICJ595A1BYX



# MPM - MEDICAL PVC MATERIAL

Neutral / Personalized plastic insert

## OVAL SHAPE

13mm

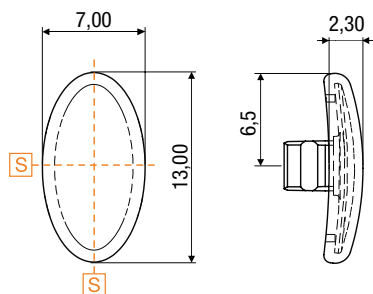
Regular Pad

### STYLE MAX

#### CLICK SYSTEM

Material: Soft MPM Crystal Cold

Insert: PC insert "C Shape"



#### Insert colour: NICKEL

CLICK SYSTEM | 71NPCK961A1WDX

#### Insert colour: GOLD

CLICK SYSTEM | 71NPCK961A2WDX

#### Insert colour: RUTHENIUM

CLICK SYSTEM | 71NPCK961A3WUX



## Customization for screw & click system

### INK PRINTING ON GPI - GALVANIZED PLASTIC INSERT

Explore our customization options for GPI.

STANDARD COLOR INK PRINTING\*:

- Black
- Grey

### AVAILABLE UPON REQUEST:

- Customized Insert
- Customized Pad Shape

\*Note: Other ink printing colors available upon request





# ERGOFEEL® SYSTEM Nose Pads

Ergonomic touch, comfortable feeling

Self adapting pad and pad-arm system to maximize comfort on the nose



## Features

- Horizontal and vertical self-adjustment
- Less adjustments needed
- Adaptability to different nose shapes
- Better fit for more comfort
- Improved quality of vision



WATCH THE VIDEO

# MPM - MEDICAL PVC MATERIAL

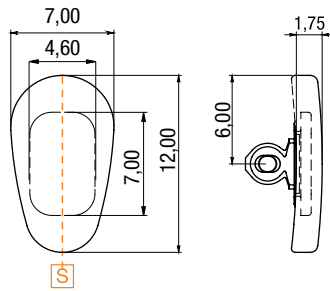
Neutral / Personalized plastic insert

**TEARDROP SHAPE** 12mm

Regular Pad

**ERGOFEEL® SYSTEM · Self Aligning**

Material: Soft MPM Crystal Cold  
Insert: PC insert "C Shape"



Neutral	
<b>ERGOFEEL® SYSTEM</b>	71NPC1339A1WYX

Personalized	
<b>ERGOFEEL® SYSTEM</b>	C1339
Personalization on "C" insert (see pag.12-13)	IP HS IPHS DHS HSE GPIE

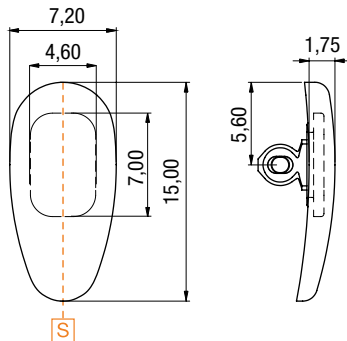
Detailed offer on request

**TEARDROP SHAPE** 15mm

Regular Pad

**ERGOFEEL® SYSTEM · Self Aligning**

Material: Soft MPM Crystal Cold  
Insert: PC insert "C Shape"



Neutral	
<b>ERGOFEEL® SYSTEM</b>	71NPC4089A1WYX

Personalized	
<b>ERGOFEEL® SYSTEM</b>	C4089
Personalization on "C" insert (see pag.12-13)	IP HS IPHS DHS HSE GPIE

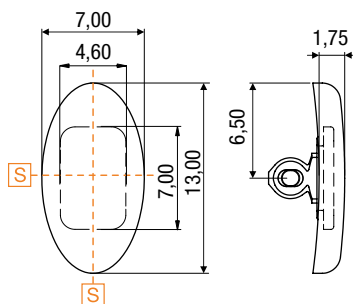
Detailed offer on request

**OVAL SHAPE** 13mm

Regular Pad

**ERGOFEEL® SYSTEM · Self Aligning**

Material: Soft MPM Crystal Cold  
Insert: PC insert "C Shape"



Neutral	
<b>ERGOFEEL® SYSTEM</b>	71NPC7024A1WYX

Personalized	
<b>ERGOFEEL® SYSTEM</b>	C7024
Personalization on "C" insert (see pag.12-13)	IP HS IPHS DHS HSE GPIE

Detailed offer on request

# MPM - MEDICAL PVC MATERIAL

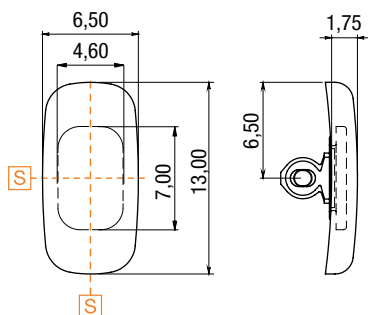
Neutral / Personalized plastic insert

**RECTANGULAR SHAPE** 13mm

Regular Pad

**ERGOFEEL® SYSTEM · Self Aligning**

Material: Soft MPM Crystal Cold  
Insert: PC insert "C Shape"



Neutral	
<b>ERGOFEEL® SYSTEM</b>	71NPC1338A1WYX

Personalized	
<b>ERGOFEEL® SYSTEM</b>	C1338
Personalization on "C" insert (see pag.12-13)	IP HS IPHS DHS HSE GPIE

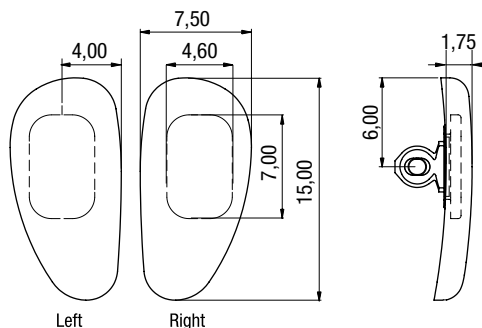
Detailed offer on request

**"D" SHAPE** 15mm

Regular Pad

**ERGOFEEL® SYSTEM · Self Aligning**

Material: Soft MPM Crystal Cold  
Insert: PC insert "C Shape"



Neutral	
<b>ERGOFEEL® SYSTEM</b>	71NPC1337A1WY0

Personalized	
<b>ERGOFEEL® SYSTEM</b>	C1337
Personalization on "C" insert (see pag.12-13)	IP HS IPHS DHS HSE GPIE

Detailed offer on request

# MEM - MEDICAL EXCLUSIVE MATERIAL

Neutral / Personalized plastic insert

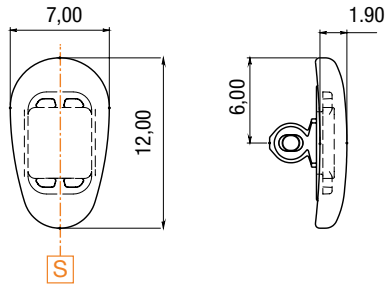
**TEARDROP SHAPE** 12mm

Regular Pad

**ERGOFEEL® SYSTEM · Self Aligning**

Material: Soft MEM Crystal Warm

Insert: PC insert "W Shape"



Neutral	
<b>ERGOFEEL® SYSTEM</b>	81NPCB890A1WYX

Personalized	
<b>ERGOFEEL® SYSTEM</b>	CB890
Personalization on "W" insert (see pag.12-13)	IP Positive HS Positive HSE Relief GPIE Screw

Detailed offer on request

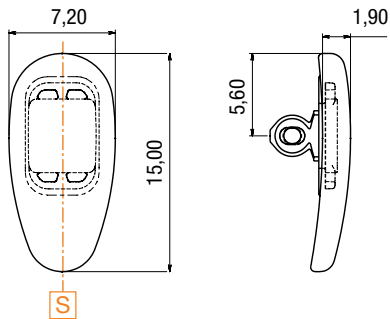
**TEARDROP SHAPE** 15mm

Regular Pad

**ERGOFEEL® SYSTEM · Self Aligning**

Material: Soft MEM Crystal Warm

Insert: PC insert "W Shape"



Neutral	
<b>ERGOFEEL® SYSTEM</b>	81NPCB888A1WYX

Personalized	
<b>ERGOFEEL® SYSTEM</b>	CB888
Personalization on "W" insert (see pag.12-13)	IP Positive HS Positive HSE Relief GPIE Screw

Detailed offer on request

# ERGOFEEL® SYSTEM Pad Arms

Ergonomic touch, comfortable feeling

Self adapting pad and pad-arm system to maximize comfort on the nose



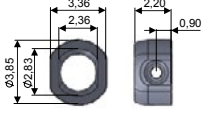
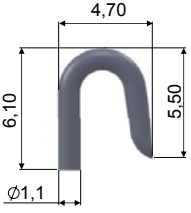
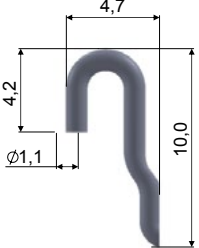
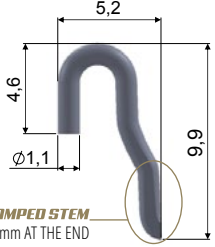

## Features

- Horizontal and vertical self-adjustment
- Less adjustments needed
- Adaptability to different nose shapes
- Better fit for more comfort
- Improved quality of vision

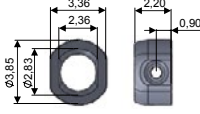
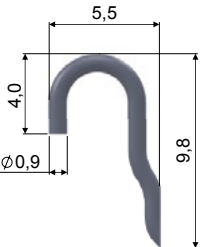
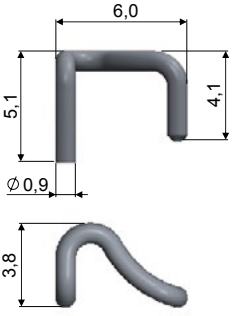
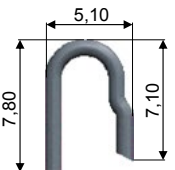


WATCH THE VIDEO

# SYNOPTIC INDEX PAD ARMS ERGOFEEL® SYSTEM

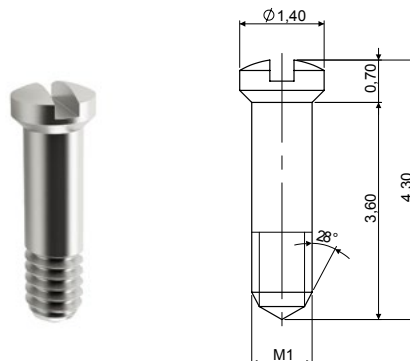
			ERGOFEEL® System
MATERIAL	STEM IMAGE	STEM CODE (STEM SHAPE)	
<b>NICKEL SILVER 18% Ni MATERIAL</b>		<b>OA7428 (207)</b>	<b>03PDC4463A1BY0</b> (page 34)
		<b>OA7578 (214)</b>	<b>03PDB1268A1BY0</b> (page 34)
		<b>ROA0121 (214)</b>	<b>03PDC4462A1BY0</b> (page 34)
		<b>ROA0011 (214)</b>	<b>03PDC4461A1BY0</b> (page 34)



MATERIAL	STEM IMAGE	STEM CODE (STEM SHAPE)	
<b>MONEL MATERIAL</b>		<b>OA7570 (214)</b>	<b>18PDC4465A1BY0</b> <small>(page 35)</small>
		<b>B1269 (310)</b>	<b>18PDB1270A1BY0</b> <small>(page 35)</small>
		<b>C8933 (214)</b>	<b>18PDC8937A1BY0</b> <small>(page 39)</small>

## ERGOFEEL® SCREW

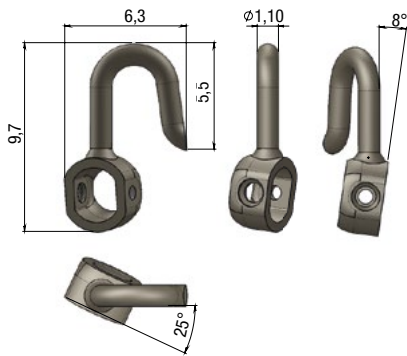
Stainless Screw for ERGOFEEL® pad arm  
 Code: 07VIA0994A1BYX



PATENTED

## NICKEL SILVER 18% Ni MATERIAL

### Ergofeel® System Pad Arms



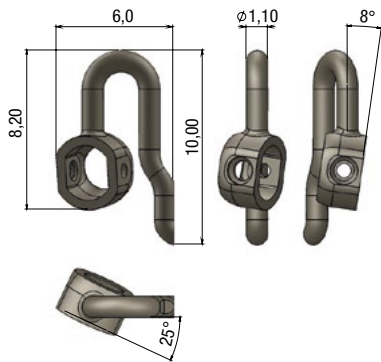
#### PAD ARM

<b>ERGOFEEL® SYSTEM</b>	03PDC4463A1BY0
-------------------------	----------------

Stem code: OA7428  
Stem shape: 207  
Stem Ø 1.10  
Stem alloy Nickel Silver 18% Ni · CuNi18Zn20

#### ERGOFEEL® BOX

ERGOFEEL® box alloy Nickel Silver 18% Ni · CuNi18Zn20  
Slanted ERGOFEEL® box 25°\*8°



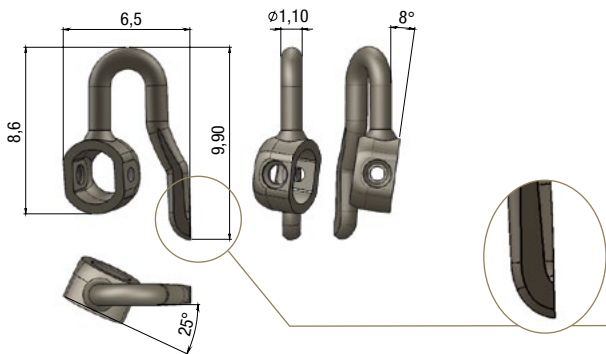
#### PAD ARM

<b>ERGOFEEL® SYSTEM</b>	03PDB1268A1BY0
-------------------------	----------------

Stem code: OA7578  
Stem shape: 214  
Stem Ø 1.10  
Stem alloy Nickel Silver 18% Ni · CuNi18Zn20

#### ERGOFEEL® BOX

ERGOFEEL® box alloy Nickel Silver 18% Ni · CuNi18Zn20  
Slanted ERGOFEEL® box 25°\*8°



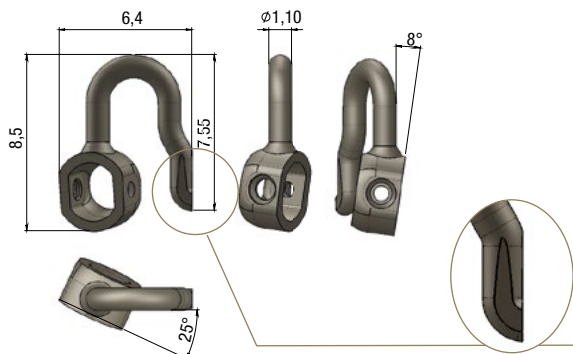
#### PAD ARM

<b>ERGOFEEL® SYSTEM</b>	03PDC4462A1BY0
-------------------------	----------------

Stem code: ROA0121  
Stem shape: 214  
Stem Ø 1.10  
Stem alloy Nickel Silver 18% Ni · CuNi18Zn20

#### ERGOFEEL® BOX

ERGOFEEL® box alloy Nickel Silver 18% Ni · CuNi18Zn20  
Slanted ERGOFEEL® box 25°\*8°  
**STAMPED STEM 0.9 mm AT THE END**



#### PAD ARM

<b>ERGOFEEL® SYSTEM</b>	03PDC4461A1BY0
-------------------------	----------------

Stem code: ROA0011  
Stem shape: 214  
Stem Ø 1.10  
Stem alloy Nickel Silver 18% Ni · CuNi18Zn20

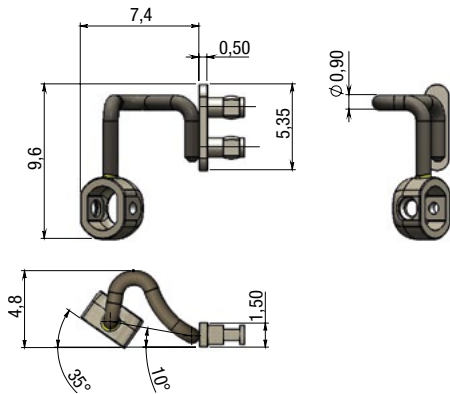
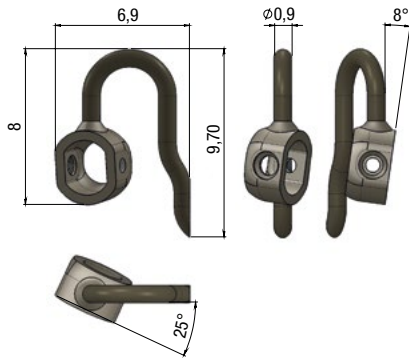
#### ERGOFEEL® BOX

ERGOFEEL® box alloy Nickel Silver 18% Ni · CuNi18Zn20  
Slanted ERGOFEEL® box 25°\*8°  
**STAMPED STEM 0.9 mm AT THE END**

PATENTED

## MONEL MATERIAL

### Ergofeel® System Pad Arms



#### PAD ARM

<b>ERGOFEEL® SYSTEM</b>	18PDC4465A1BY0
-------------------------	----------------

Stem code: OA7570  
Stem shape: 214  
Stem Ø 0.9  
Stem alloy Monel · NiCu30Fe

#### ERGOFEEL® BOX

ERGOFEEL® box alloy Nickel Silver 18% Ni · CuNi18Zn20  
Slanted ERGOFEEL® box 25°\*8°

#### PAD ARM

<b>ERGOFEEL® SYSTEM</b>	18PDB1270A1BY0
-------------------------	----------------

Stem code: 18SEB1269A1BY0  
Stem shape: 310  
Stem Ø 0.9  
Stem alloy Monel · NiCu30Fe

#### ERGOFEEL® BOX

ERGOFEEL® box alloy Nickel Silver 18% Ni · CuNi18Zn20  
Slanted ERGOFEEL® box 35°  
3D shape  
FOR PLASTIC FRAMES



# CHANGE FIT SYSTEM

High versatility for different fittings

Innovative pad-arm system for injection frames

## Features

- Easy to apply, easy to replace
- Versatility
- Model standardization
- Assorted variety
- Intuitive and discrete looking



WATCH THE VIDEO

**PATENTED**

## PRODUCT SPECIFICATIONS

**Change Fit System** Pad Arms

**VISOTTICA**  
GROUP

**EASY TO APPLY, EASY TO REPLACE**



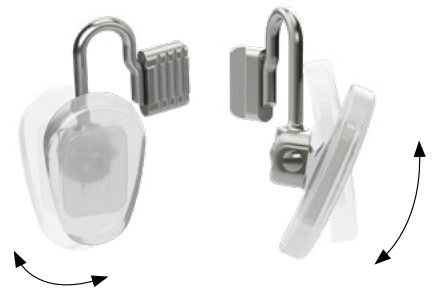
**STEM SHAPES AND ATTACHMENTS**



**SCREW SYSTEM**  
**2D and 3D**  
(Mini box)



**CLICK SYSTEM**  
**2D and 3D**



**ERGOFEEL® SYSTEM**

BASIC OFFER OF PAD-ARMS  
Customized stem shapes available on request.

ASSORTED VARIETY OF NOSE PADS  
We offer the possibility of choosing the best match with our wide standard offer of nose pads.

**CONSTRUCTION AND FINISHING**

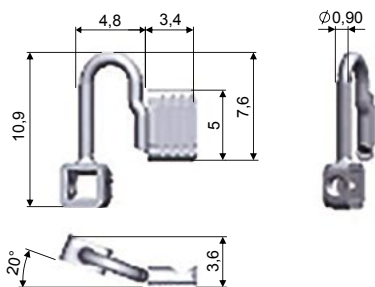
**Slim stem in MONEL Ø0.90 mm**



Offered in two different finishing:  
• Uncoated Pad-arm  
• Coated Pad-arm: upon specific request

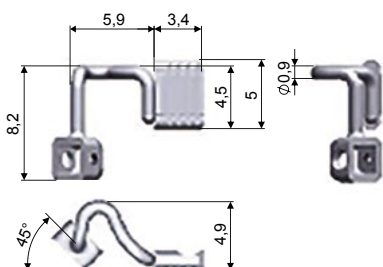
# MONEL MATERIAL

## Change Fit System Pad Arms



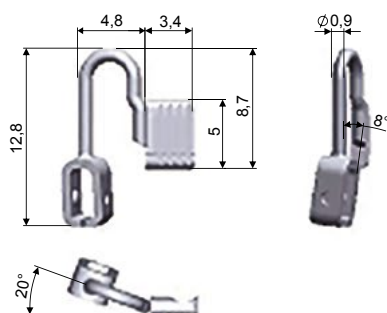
PAD ARM	
SCREW SYSTEM RAW	18PDC8936A1BY0
COATING	UPON SPECIFIC REQUEST

Stem code: 18SEC8933A1BYX  
 Stem shape: 214  
 Stem  $\varnothing$  0.9  
 Stem alloy Monel NiCu30Fe  
**Screw:** 07VIC9332A1BYX



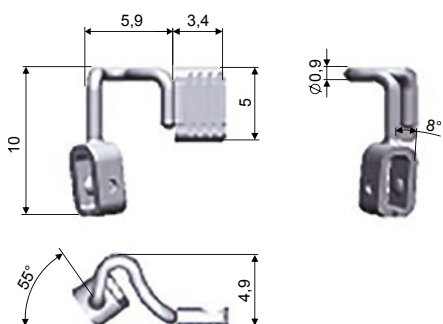
PAD ARM	
SCREW SYSTEM RAW	18PDC8935A1BY0
COATING	UPON SPECIFIC REQUEST

Stem code: 18SEB1269A1BY0  
 Stem shape: 310  
 Stem  $\varnothing$  0.9  
 Stem alloy Monel NiCu30Fe  
**Screw:** 07VIC9332A1BYX



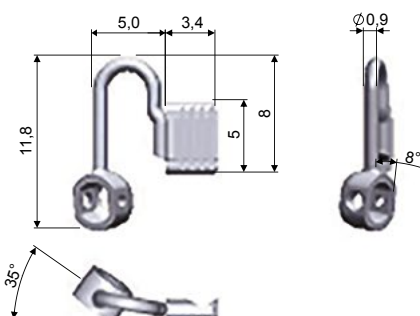
PAD ARM	
CLICK SYSTEM RAW	18PDC8934A1BY0
COATING	UPON SPECIFIC REQUEST

Stem code: 18SEC8933A1BYX  
 Stem shape: 214  
 Stem  $\varnothing$  0.9  
 Stem alloy Monel NiCu30Fe



PAD ARM	
CLICK SYSTEM RAW	18PDC8930A1BY0
COATING	UPON SPECIFIC REQUEST

Stem code: 18SEB1269A1BY0  
 Stem shape: 310  
 Stem  $\varnothing$  0.9  
 Stem alloy Monel NiCu30Fe



PAD ARM	
ERGOFEEL® SYSTEM RAW	18PDC8937A1BY0
COATING	UPON SPECIFIC REQUEST

Stem code: 18SEC8933A1BYX  
 Stem shape: 214  
 Stem  $\varnothing$  0.9  
 Stem alloy Monel NiCu30Fe  
**Screw:** 07VIC9331A1BYX





# BUTTON SYSTEM

---

Snap-on system

The solution that ensures comfort and the perfect fit



---

## Features

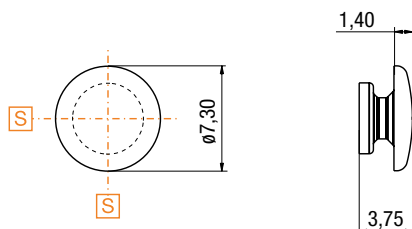
- Slim, light and discreet
- For freedom of design

# MSM® - MEDICAL SILICON MATERIAL

Neutral No Insert

## ROUND SHAPE 7,3mm

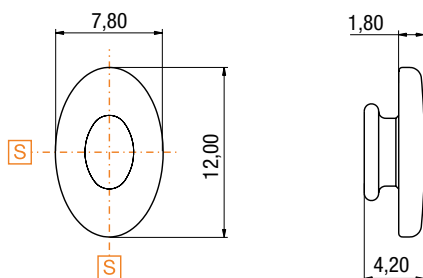
Slim Pad  
Material: Ultra Soft MSM Crystal Clear  
No insert



Neutral	
BUTTON SYSTEM	73NP91511000

## OVAL SHAPE 12mm

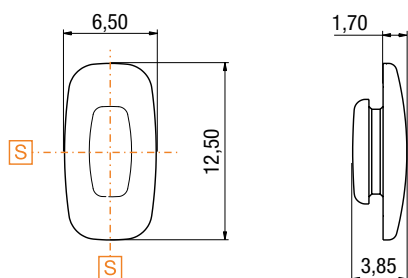
Regular Pad  
Material: Ultra Soft MSM Crystal Clear  
No insert



Neutral	
BUTTON SYSTEM	73NP93145000

## RECTANGULAR SHAPE 12,5mm

Regular Pad  
Material: Ultra Soft MSM Crystal Clear **Matt Transparent**  
No insert



Neutral	
BUTTON SYSTEM	73NPB0956A1WYX

## MSM® - MEDICAL SILICON MATERIAL

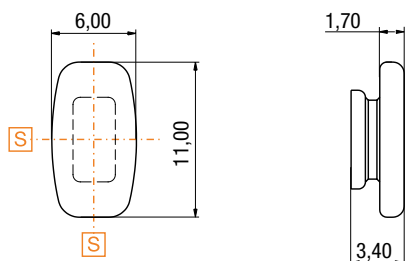
Neutral No Insert

**RECTANGULAR SHAPE** 11mm

Regular Pad

Material: Ultra Soft MSM **Matt Transarent**

No insert



Neutral

<b>BUTTON SYSTEM</b>	73NP93151000
----------------------	--------------

## MEM - MEDICAL EXCLUSIVE MATERIAL

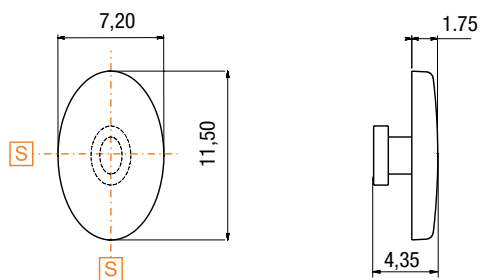
Neutral No Insert

**OVAL SHAPE** 11,5mm

Regular Pad

Material: Soft MEM Crystal Warm

No insert



Neutral

<b>BUTTON SYSTEM</b>	81NPCB850A1BYX
----------------------	----------------



# SCREW AND CLICK SYSTEM

---

Nose pads collections

---

## Features

- International standards, worldwide aftersales
- Mobility for a comfortable fit
- Wide variety of shapes and personalization



# MPM - MEDICAL PVC MATERIAL

Neutral No Insert

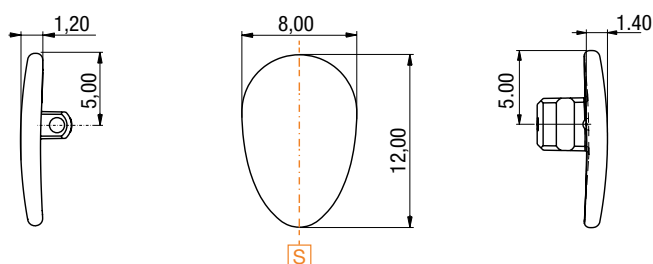
## TEARDROP SHAPE

12mm

Slim Pad

Material: Soft MPM Crystal Cold

No insert



Neutral

**SCREW SYSTEM** 71NPC7948A1WYX

**CLICK SYSTEM** 71NPCD667A1WYX

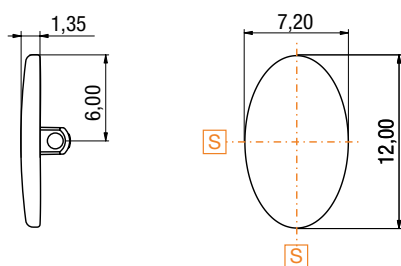
## OVAL SHAPE

12mm

Slim Pad

Material: Soft MPM Crystal Cold

No insert



Neutral

**SCREW SYSTEM** 71NPC7950A1WYX

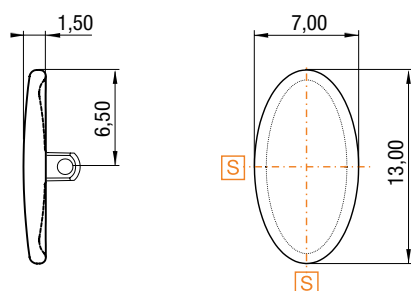
## OVAL SHAPE

13mm

Slim Pad **MAXSOFT**

Material: Soft MPM Crystal Cold

No insert



Neutral

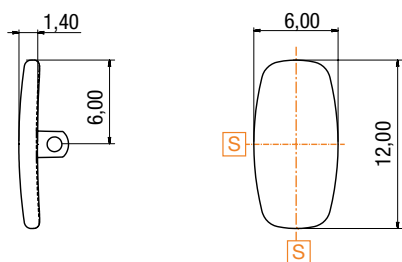
**SCREW SYSTEM** 71NPC7956A1WYX

# MPM - MEDICAL PVC MATERIAL

**Neutral** No Insert

## RECTANGULAR SHAPE 12mm

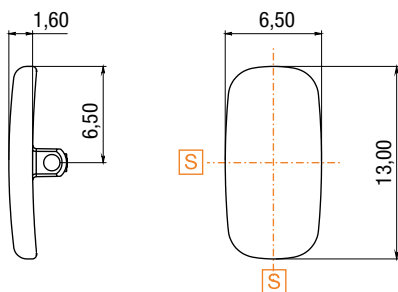
Slim Pad  
Material: Soft MPM Crystal Cold  
No insert



<b>Neutral</b>	
<b>SCREW SYSTEM</b>	71NPB7955A1WYX

## RECTANGULAR SHAPE 13mm

Slim Pad  
Material: Soft MPM Crystal Cold  
No insert



<b>Neutral</b>	
<b>SCREW SYSTEM</b>	71NPCD668A1WYX

# MPM - MEDICAL PVC MATERIAL

Neutral / Personalized plastic insert

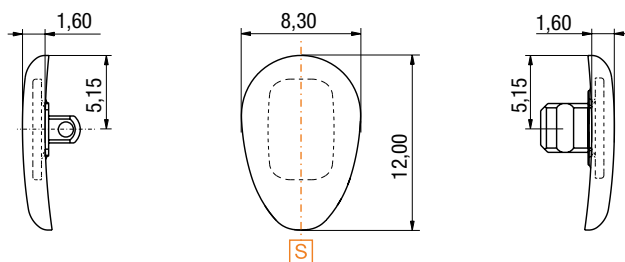
## TEARDROP SHAPE

12mm

Slim Pad

Material: Soft MPM Crystal Cold

Insert: PC insert "C Shape"



### Neutral

**SCREW SYSTEM** 71NPC7896A1WYX

**CLICK SYSTEM** 71NPC7897A1WYX

### Personalized

**SCREW SYSTEM** C7896

**CLICK SYSTEM** C7897

Personalization on "C" insert (see pag.12-13)

- IP
- HS
- IPHS
- DHS
- HSE
- GPIE

Detailed offer on request

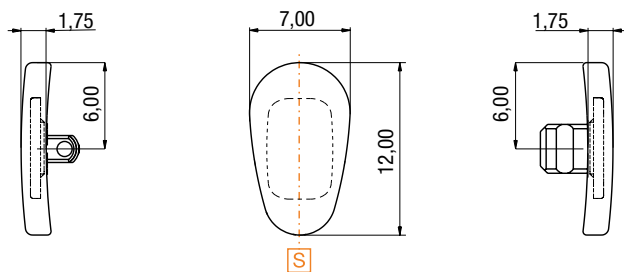
## TEARDROP SHAPE

12mm

Regular Pad

Material: Soft MPM Crystal Cold

Insert: PC insert "C Shape"



### Neutral

**SCREW SYSTEM** 71NPC7922A1WYX

**CLICK SYSTEM** 71NPC7923A1WYX

### Personalized

**SCREW SYSTEM** C7922

**CLICK SYSTEM** C7923

Personalization on "C" insert (see pag.12-13)

- IP
- HS
- IPHS
- DHS
- HSE
- GPIE

Detailed offer on request

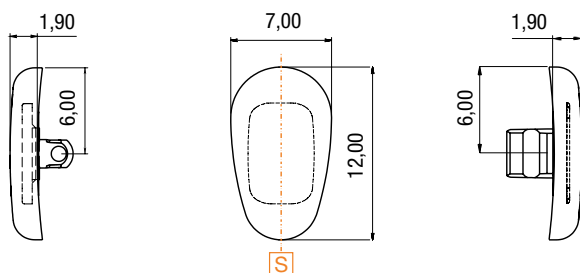
## TEARDROP SHAPE

12mm

Regular Pad

Material: Soft MPM Crystal Cold

Insert: PC insert "C Shape"



### Neutral

**SCREW SYSTEM** 71NPCD684A1WYX

**CLICK SYSTEM** 71NPC7924A1WYX

### Personalized

**SCREW SYSTEM** CD684

**CLICK SYSTEM** C7924

Personalization on "C" insert (see pag.12-13)

- IP
- HS
- IPHS
- DHS
- HSE
- GPIE

Detailed offer on request



# MPM - MEDICAL PVC MATERIAL

Neutral / Personalized plastic insert

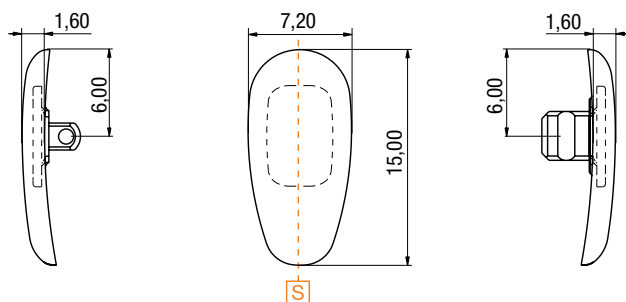
## TEARDROP SHAPE

15mm

Slim Pad

Material: Soft MPM Crystal Cold

Insert: PC insert "C Shape"



### Neutral

**SCREW SYSTEM** 71NPC7914A1WYX

**CLICK SYSTEM** 71NPC7913A1WYX

### Personalized

**SCREW SYSTEM** C7914

**CLICK SYSTEM** C7913

Personalization on "C" insert (see pag.12-13)

IP  
HS  
IPHS  
DHS  
HSE  
GPIE

Detailed offer on request

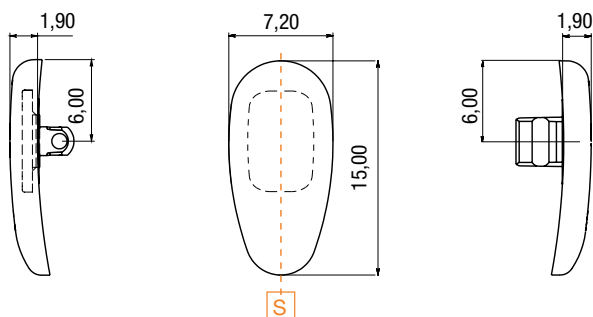
## TEARDROP SHAPE

15mm

Regular Pad

Material: Soft MPM Crystal Cold

Insert: PC insert "C Shape"



### Neutral

**SCREW SYSTEM** 71NPCD685A1WYX

**CLICK SYSTEM** 71NPC7925A1WYX

### Personalized

**SCREW SYSTEM** CD685

**CLICK SYSTEM** C7925

Personalization on "C" insert (see pag.12-13)

IP  
HS  
IPHS  
DHS  
HSE  
GPIE

Detailed offer on request

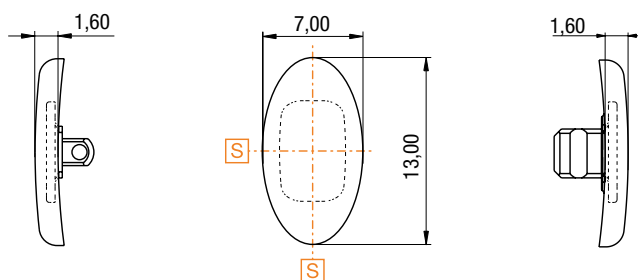
## OVAL SHAPE

13mm

Slim Pad

Material: Soft MPM Crystal Cold

Insert: PC insert "C Shape"



### Neutral

**SCREW SYSTEM** 71NPC7901A1WYX

**CLICK SYSTEM** 71NPC7902A1WYX

### Personalized

**SCREW SYSTEM** C7901

**CLICK SYSTEM** C7902

Personalization on "C" insert (see pag.12-13)

IP  
HS  
IPHS  
DHS  
HSE  
GPIE

Detailed offer on request

# MPM - MEDICAL PVC MATERIAL

Neutral / Personalized plastic insert

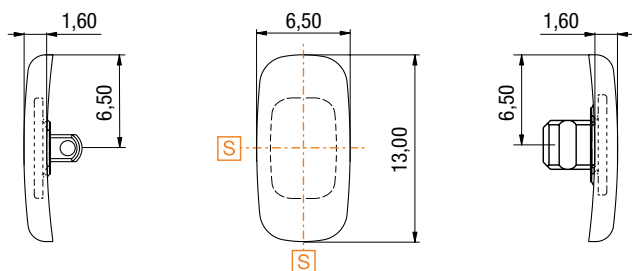
## RECTANGULAR SHAPE

13mm

Slim Pad

Material: Soft MPM Crystal Cold

Insert: PC insert "C Shape"



### Neutral

<b>SCREW SYSTEM</b>	71NPC7900A1WYX
<b>CLICK SYSTEM</b>	71NPC7899A1WYX

### Personalized

<b>SCREW SYSTEM</b>	C7900
<b>CLICK SYSTEM</b>	C7899
Personalization on "C" insert (see pag.12-13)	IP HS IPHS DHS HSE GPIE

Detailed offer on request

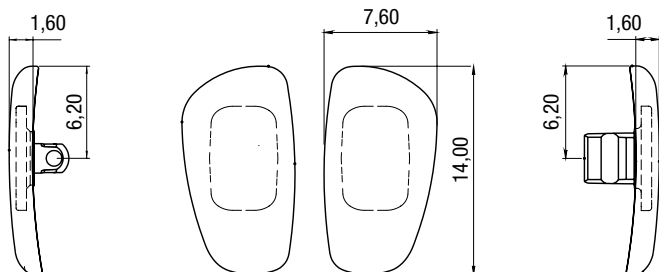
## "D" SHAPE

14mm

Slim Pad

Material: Soft MPM Crystal Cold

Insert: PC insert "C Shape"



### Neutral

<b>SCREW SYSTEM</b>	71NPCD687A1WY0
<b>CLICK SYSTEM</b>	71NPCD897A1WY0

### Personalized

<b>SCREW SYSTEM</b>	CD687
<b>CLICK SYSTEM</b>	CD897
Personalization on "C" insert (see pag.12-13)	IP HS IPHS DHS HSE GPIE

Detailed offer on request

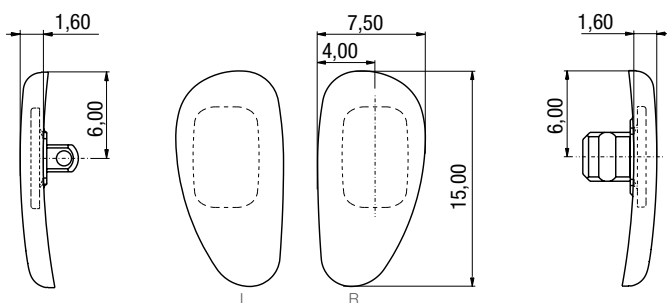
## "D" SHAPE

15mm

Slim Pad

Material: Soft MPM Crystal Cold

Insert: PC insert "C Shape"



### Neutral

<b>SCREW SYSTEM</b>	71NPC7916A1WY0
<b>CLICK SYSTEM</b>	71NPC7917AWY0

### Personalized

<b>SCREW SYSTEM</b>	C7916
<b>CLICK SYSTEM</b>	C7917
Personalization on "C" insert (see pag.12-13)	IP HS IPHS DHS HSE GPIE

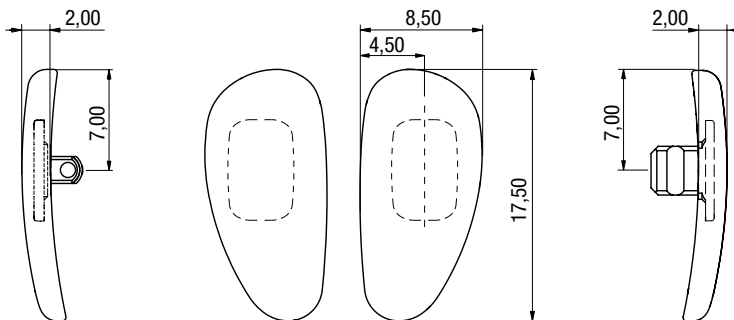
Detailed offer on request

# MPM - MEDICAL PVC MATERIAL

Neutral / Personalized plastic insert

## "D" SHAPE 17,5mm

Regular Pad  
Material: Soft MPM Crystal Cold  
Insert: PC insert "C Shape"

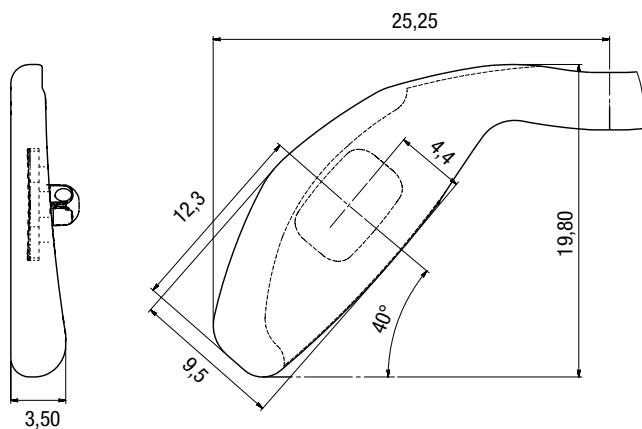


Neutral	
SCREW SYSTEM	71NPC7927A1WY0
CLICK SYSTEM	71NPC7928A1WY0
Personalized	
SCREW SYSTEM	C7927
CLICK SYSTEM	C7928
Personalization on "C" insert (see pag.12-13)	IP HS IPHS DHS HSE GPIE

Deatilled offer on request

## TWIN PAD 19,80mm

Regular Pad  
Material: Soft MPM Crystal Cold  
Insert: PC insert "C Shape"



Neutral	
SCREW SYSTEM	71NPC7931A1WYX
Personalized	
SCREW SYSTEM	C7931
Personalization on "C" insert (see pag.12-13)	IP HS IPHS DHS HSE GPIE

Deatilled offer on request

# MEM - MEDICAL EXCLUSIVE MATERIAL

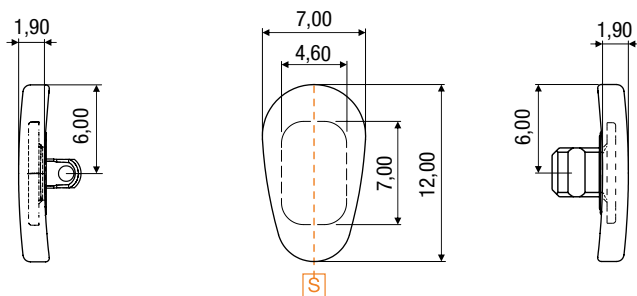
Neutral / Personalized plastic insert

## TEARDROP SHAPE 12mm

Regular Pad

Material: Soft MEM Crystal Warm

Insert: PC insert "C Shape"



Neutral	
SCREW SYSTEM	81NPC6298A1WYX
CLICK SYSTEM	81NPC6299A1WYX

Personalized	
SCREW SYSTEM	C6298
CLICK SYSTEM	C6299

Personalization on "C" insert (see pag.12-13)	IP Positive HS Positive HSE Relief GPIE Screw
---	--

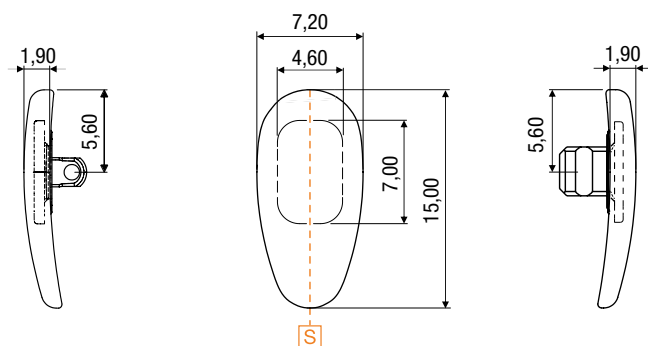
Detailed offer on request

## TEARDROP SHAPE 15mm

Regular Pad

Material: Soft MEM Crystal Warm

Insert: PC insert "C Shape"



Neutral	
SCREW SYSTEM	81NPC6304A1WYX
CLICK SYSTEM	81NPC6305A1WYX

Personalized	
SCREW SYSTEM	C6304
CLICK SYSTEM	C6305

Personalization on "C" insert (see pag.12-13)	IP Positive HS Positive HSE Relief GPIE Screw
---	--

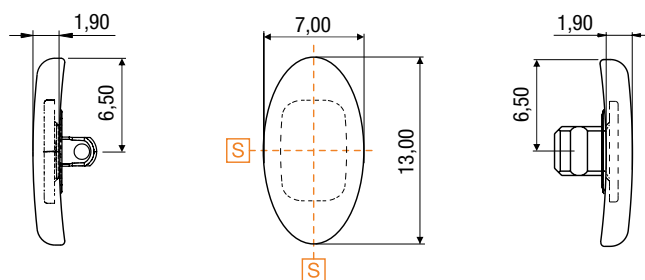
Detailed offer on request

## OVAL SHAPE 13mm

Regular Pad

Material: Soft MEM Crystal Warm

Insert: PC insert "C Shape"



Neutral	
SCREW SYSTEM	81NPC6302A1WYX
CLICK SYSTEM	81NPC6303A1WYX

Personalized	
SCREW SYSTEM	C6302
CLICK SYSTEM	C6303

Personalization on "C" insert (see pag.12-13)	IP Positive HS Positive HSE Relief GPIE Screw
---	--

Detailed offer on request

# MEM - MEDICAL EXCLUSIVE MATERIAL

Neutral / Personalized plastic insert

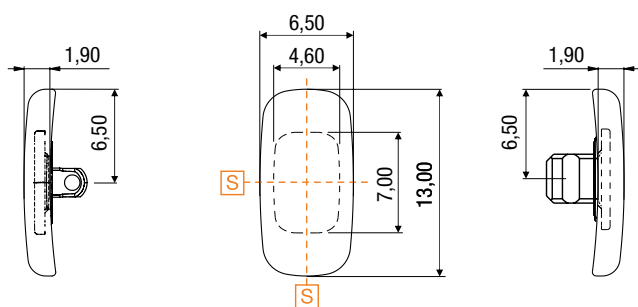
## RECTANGULAR SHAPE

13mm

Regular Pad

Material: Soft MEM Crystal Warm

Insert: PC insert "C Shape"



### Neutral

**SCREW SYSTEM** 81NPC6300A1WYX

**CLICK SYSTEM** 81NPC6301A1WYX

### Personalized

**SCREW SYSTEM** C6300

**CLICK SYSTEM** C6301

Personalization on "C" insert (see pag.12-13)  
 IP Positive  
 HS Positive  
 HSE Relief  
 GPIE Screw

Detailed offer on request

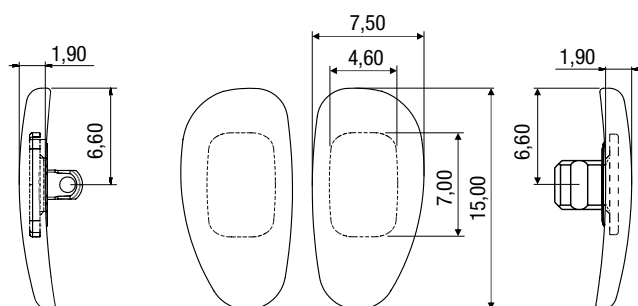
## "D" SHAPE

15mm

Regular Pad

Material: Soft MEM Crystal Warm

Insert: PC insert "C Shape"



### Neutral

**SCREW SYSTEM** 81NPC6306A1WY0

**CLICK SYSTEM** 81NPC6307A1WY0

### Personalized

**SCREW SYSTEM** C6306

**CLICK SYSTEM** C6307

Personalization on "C" insert (see pag.12-13)  
 IP Positive  
 HS Positive  
 HSE Relief  
 GPIE Screw

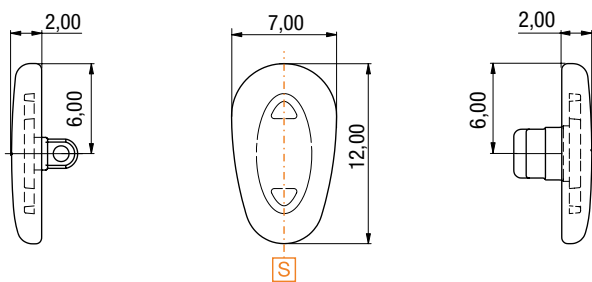
Detailed offer on request

# MSM® - MEDICAL SILICON MATERIAL

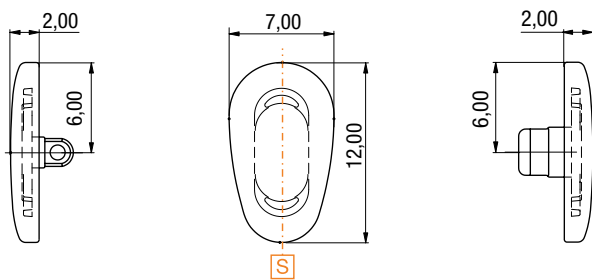
Neutral / Personalized plastic insert

## TEARDROP SHAPE 12mm

Regular Pad  
Material: Ultra Soft MSM Crystal Clear  
Insert: PC insert



Neutral	
SCREW SYSTEM	73NPCE373A1WYX
CLICK SYSTEM	73NP93146000

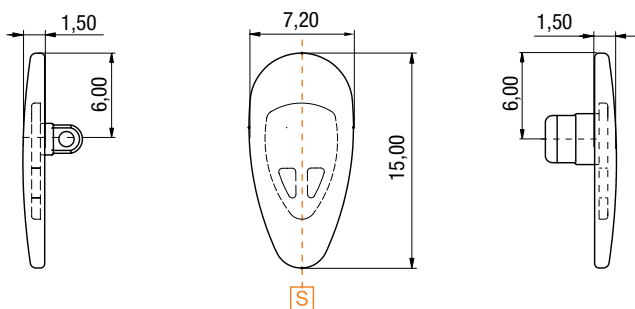


Personalized on PC insert "U Shape"	
SCREW SYSTEM	CE195
CLICK SYSTEM	CE196
Personalization on "U" insert (see pag.12-13)	IP HS IPHS DHS HSE

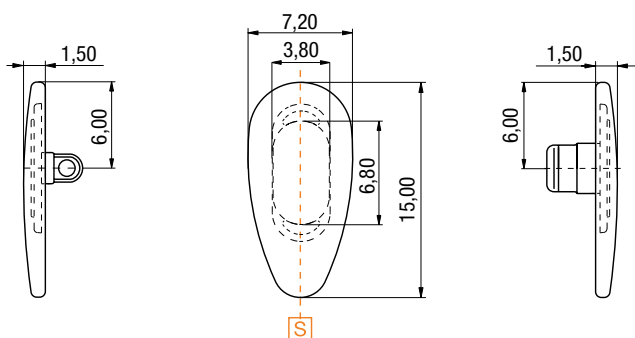
Detailed offer on request

## TEARDROP SHAPE 15mm

Slim Pad  
Material: Ultra Soft MSM Crystal Clear  
Insert: PC insert



Neutral	
SCREW SYSTEM	73NP93135000
CLICK SYSTEM	73NP93136000



Personalized on PC insert "U Shape"	
SCREW SYSTEM	CE193
CLICK SYSTEM	CE194
Personalization on "U" insert (see pag.12-13)	IP HS IPHS DHS HSE

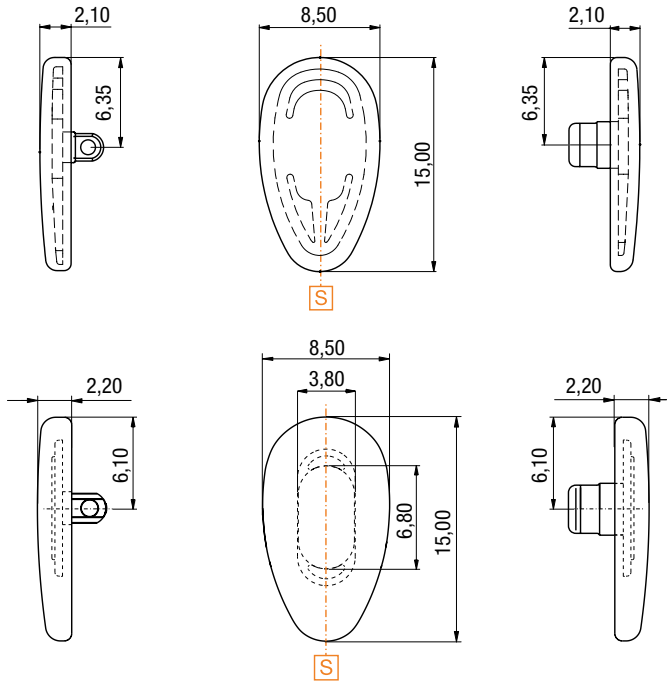
Detailed offer on request

# MSM® - MEDICAL SILICON MATERIAL

Neutral / Personalized plastic insert

## TEARDROP SHAPE 15mm

Regular Pad  
Material: Ultra Soft MSM Crystal Clear  
Insert: PC insert



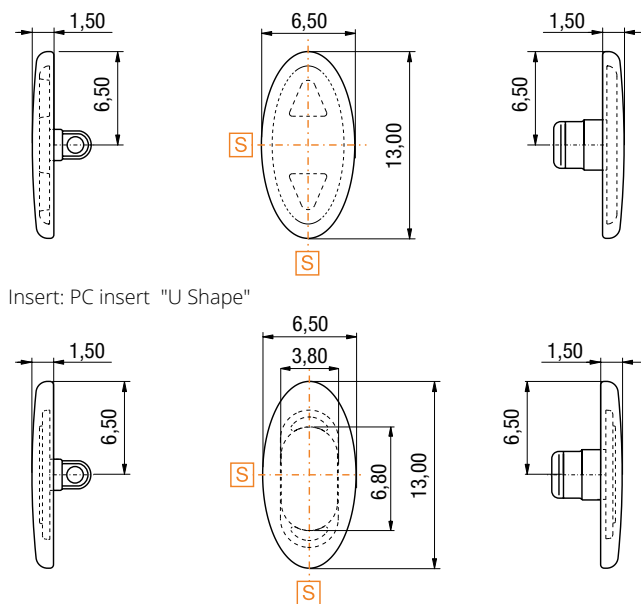
Neutral	
SCREW SYSTEM	73NP91545000
CLICK SYSTEM	73NP90552000

Personalized on PC insert "U Shape"	
SCREW SYSTEM	CE201
CLICK SYSTEM	CE202
Personalization on "U" insert (see pag.12-13)	IP HS IPHS DHS HSE

Detailed offer on request

## OVAL SHAPE 13mm

Slim Pad  
Material: Ultra Soft MSM Crystal Clear  
Insert: PC insert



Insert: PC insert "U Shape"

Neutral	
SCREW SYSTEM	73NP93013000
CLICK SYSTEM	73NP93012000

Personalized on PC insert "U Shape"	
SCREW SYSTEM	CE191
CLICK SYSTEM	CE192
Personalization on "U" insert (see pag.12-13)	IP HS IPHS DHS HSE

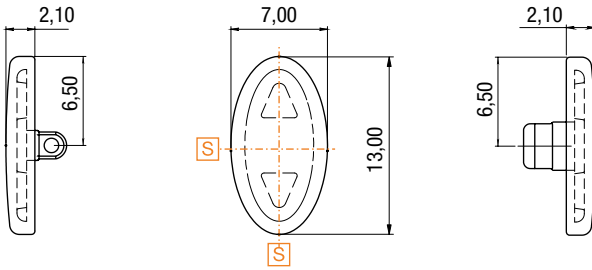
Detailed offer on request

# MSM® - MEDICAL SILICON MATERIAL

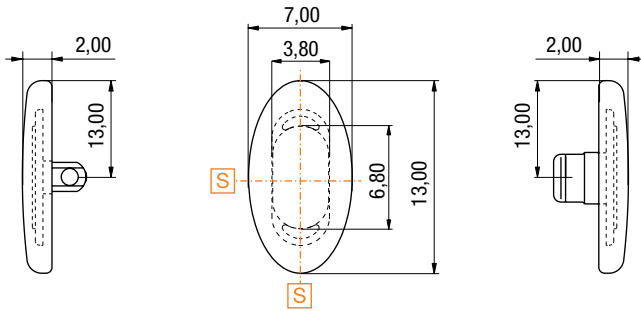
Neutral / Personalized plastic insert

## OVAL SHAPE 13mm

Regular Pad  
Material: Ultra Soft MSM Crystal Clear  
Insert: PC insert



Neutral	
SCREW SYSTEM	73NP90612000
CLICK SYSTEM	73NP90669000

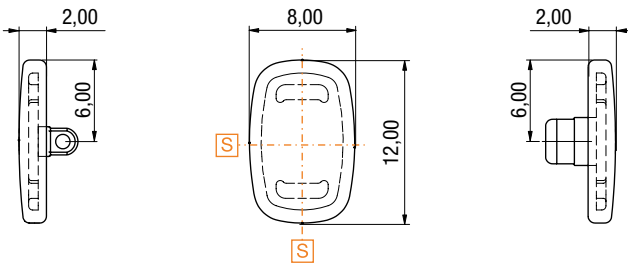


Personalized on PC insert "U Shape"	
SCREW SYSTEM	CE199
CLICK SYSTEM	CE200
Personalization on "U" insert (see pag.12-13)	IP HS IPHS DHS HSE

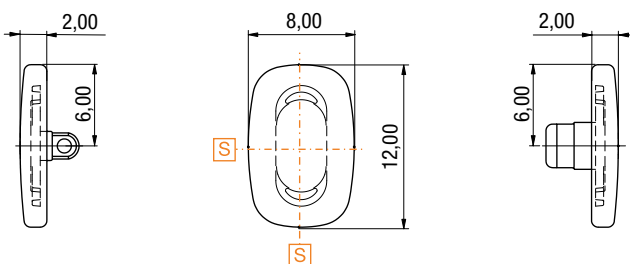
Detailed offer on request

## RECTANGULAR SHAPE 12mm

Regular Pad  
Material: Ultra Soft MSM Crystal Clear  
Insert: PC insert



Neutral	
SCREW SYSTEM	73NP93007000
CLICK SYSTEM	73NP93006000



Personalized on PC insert "U Shape"	
SCREW SYSTEM	CE316
CLICK SYSTEM	C4438
Personalization on "U" insert (see pag.12-13)	IP HS IPHS DHS HSE

Detailed offer on request

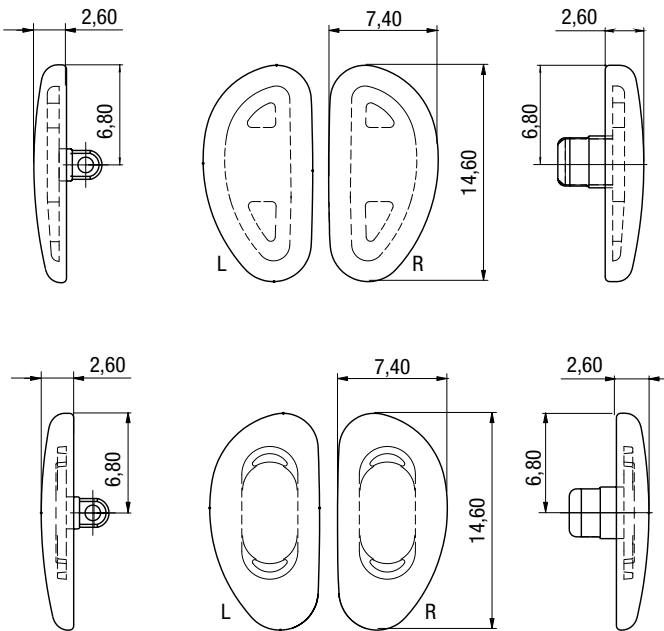


# MSM® - MEDICAL SILICON MATERIAL

Neutral / Personalized plastic insert

## "D" SHAPE 14,60mm

Regular Pad  
Material: Ultra Soft MSM Crystal Clear  
Insert: PC insert

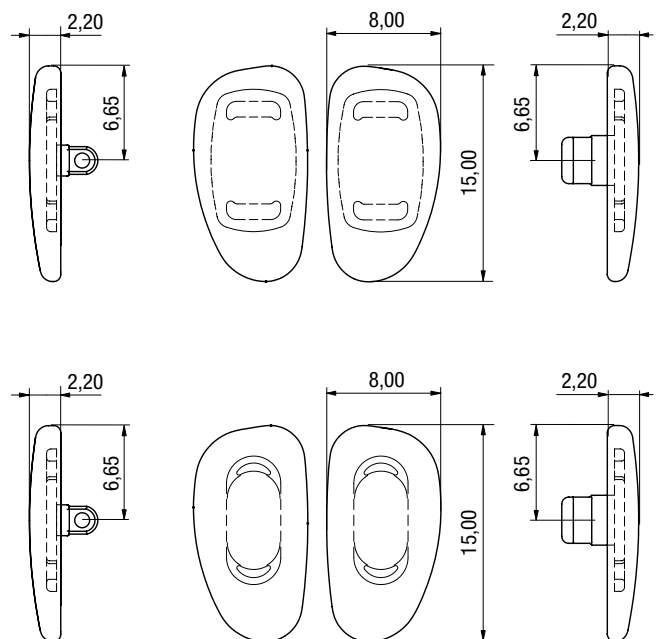


Neutral	
SCREW SYSTEM	73NP91555000
CLICK SYSTEM	73NP91548000

Personalized on PC insert "U Shape"	
SCREW SYSTEM	CE317
CLICK SYSTEM	CE318
Personalization on "U" insert (see pag.12-13)	IP HS IPHS DHS HSE
Detailed offer on request	

## "D" SHAPE 15mm

Regular Pad  
Material: Ultra Soft MSM Crystal Clear  
Insert: PC insert



Neutral	
SCREW SYSTEM	73NPC4545A1WY0
CLICK SYSTEM	73NPC4544A1WY0

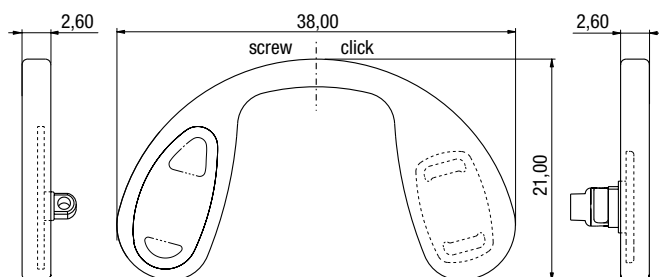
Personalized on PC insert "U Shape"	
SCREW SYSTEM	CE319
CLICK SYSTEM	CE320
Personalization on "U" insert (see pag.12-13)	IP HS IPHS DHS HSE
Detailed offer on request	

# MSM® - MEDICAL SILICON MATERIAL

Neutral plastic insert

## TWIN PADS 21mm

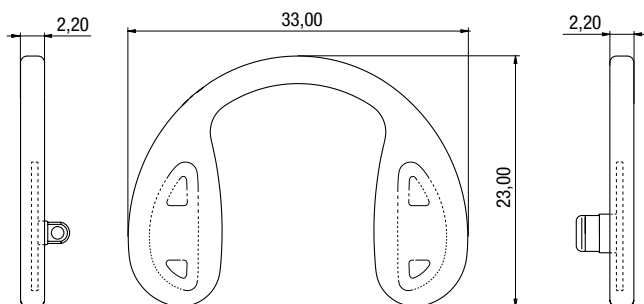
Regular Pad  
Material: Ultra Soft MSM Crystal Clear  
Insert: PC insert



Neutral	
SCREW SYSTEM	73NP93119000
CLICK SYSTEM	73NP93117000

## TWIN PADS 23mm

Regular Pad  
Material: Ultra Soft MSM Crystal Clear  
Insert: PC insert



Neutral	
SCREW SYSTEM	73NP93128000
CLICK SYSTEM	73NP93129000





# PAD ARMS SCREW AND CLICK SYSTEM

Pad-arms collections

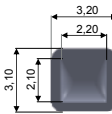
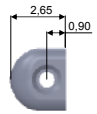
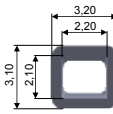
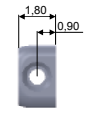
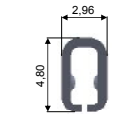
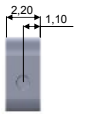
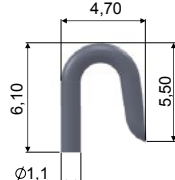
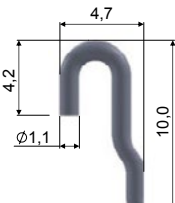
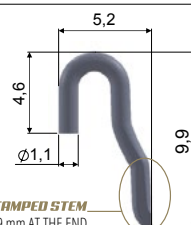
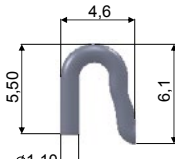
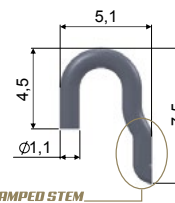
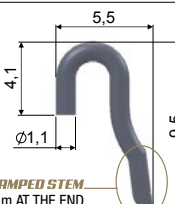




## Features

- High quality materials from reliable sources
- Certified processes to outperform the highest standards

# SYNOPTIC INDEX

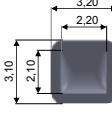
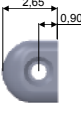
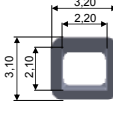
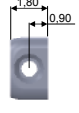
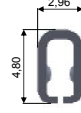
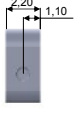
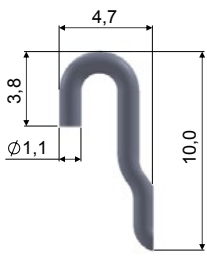
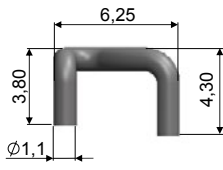
## PAD ARMS SCREW AND CLICK SYSTEM

MATERIAL	STEM IMAGE	STEM CODE (STEM SHAPE)	SCREW System	normal box	SCREW System	mini box	CLICK System	normal buckle
								
<b>NICKEL SILVER 18% Ni MATERIAL</b>		<b>OA7428 (207)</b>			<b>03PD91053000</b> (page 66)			
		<b>OA7578 (214)</b>	<b>03PD90395000</b> (page 66)	<b>03PD91051000</b> (page 66)	<b>03PD90516000</b> (page 66)			
		<b>ROA0121 (214)</b>	<b>03PD92097000</b> (page 67)					
		<b>OA7559 (214)</b>		<b>03PD91229000</b> (page 67)				
		<b>ROA0011 (214)</b>		<b>03PD93632000</b> (page 67)				
		<b>ROA0022 (214)</b>	<b>03PD90520000</b> (page 67)	<b>03PD90479000</b> (page 68)				
		<b>OA7380 (310)</b>	<b>03PD90900000</b> (page 71)	<b>03PD90505000</b> (page 68)	<b>03PD90701000</b> (page 68)			
		<b>OA7523 (225)</b>			<b>03PD91294000</b> (page 68)			

SCREW System	normal box	mini box	CLICK System	normal buckle

MATERIAL	STEM IMAGE	STEM CODE (STEM SHAPE)	SCREW System	normal box	mini box	CLICK System	normal buckle
<b>MONEL MATERIAL</b>		<b>OA7385 (214)</b>					<b>18PD90538000</b> (page 69)
		<b>OA7575 (214)</b>		<b>18PD91098000</b> (page 69)			
		<b>OA7570 (214)</b>		<b>18PD90537000</b> (page 69)			
	 <b>STAMPED STEM</b> 0.8 mm AT THE END	<b>OA7530 (207)</b>		<b>18PD90530000</b> (page 69)			
		<b>B1269 (310)</b>			<b>18PDC8935A1BY0</b> (page 39)		<b>18PDC8930A1BY0</b> (page 39)
		<b>C8933 (214)</b>			<b>18PDC8936A1BY0</b> (page 39)		<b>18PDC8934A1BY0</b> (page 39)

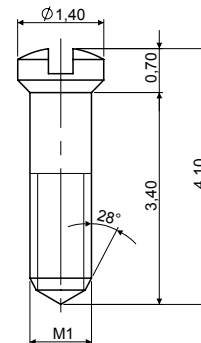
# SYNOPTIC INDEX PAD ARMS SCREW AND CLICK SYSTEM

MATERIAL	STEM IMAGE	STEM CODE (STEM SHAPE)	SCREW System	normal box	SCREW System	mini box	CLICK System	normal buckle
								
TITANIUM MATERIAL		OA7579 (214)						
		B0793 (310)						31PDB0794A1BY0 (page 70)

## VISOTTICA SCREW

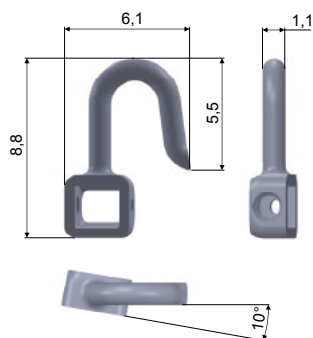
### general information

Stainless Screw for pad arm  
Code: 07VI11707A1BYX





**S T A N D A R D   P R O P O S A L**



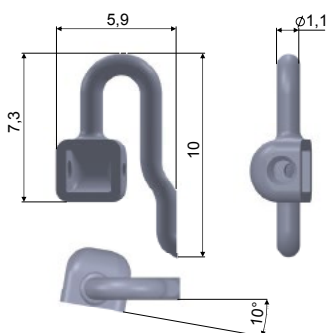
### PAD ARM

<b>SCREW SYSTEM</b>	03PD91053000
---------------------	--------------

Stem code: OA7428  
 Stem shape: 207  
 Stem  $\varnothing$  1.10  
 Stem alloy Nickel Silver 18% Ni · CuNi18Zn20

### MINIBOX

Minibox alloy Nickel Silver 18% Ni · CuNi18Zn20  
 Slanted minibox 10°



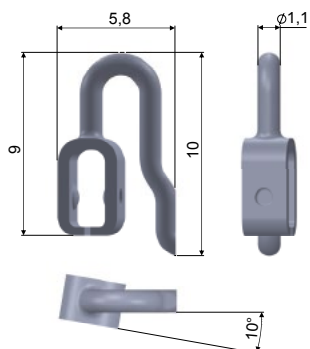
### PAD ARM

<b>SCREW SYSTEM</b>	03PD90395000
---------------------	--------------

Stem code: OA7578  
 Stem shape: 214  
 Stem  $\varnothing$  1.10  
 Stem alloy Nickel Silver 18% Ni · CuNi18Zn20

### NORMAL BOX

Box alloy Nickel Silver 18% Ni · CuNi18Zn20  
 Slanted box 10°



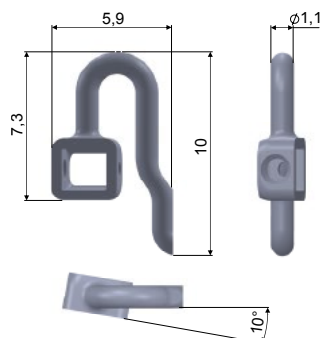
### PAD ARM

<b>CLICK SYSTEM</b>	03PD90516000
---------------------	--------------

Stem code: OA7578  
 Stem shape: 214  
 Stem  $\varnothing$  1.10  
 Stem alloy Nickel Silver 18% Ni · CuNi18Zn20

### NORMAL BUCKLE

Buckle alloy · CuNi9Sn6  
 Buckle 10°



### PAD ARM

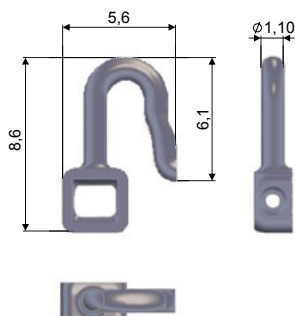
<b>SCREW SYSTEM</b>	03PD91051000
---------------------	--------------

Stem code: OA7578  
 Stem shape: 214  
 Stem  $\varnothing$  1.10  
 Stem alloy Nickel Silver 18% Ni · CuNi18Zn20

### MINIBOX

Minibox alloy Nickel Silver 18% Ni · CuNi18Zn20  
 Slanted minibox 10°

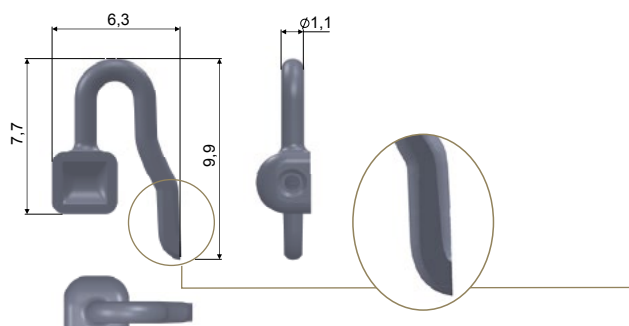
# NICKEL SILVER 18% Ni MATERIAL



## PAD ARM

<b>SCREW SYSTEM</b>	03PD91229000
---------------------	--------------

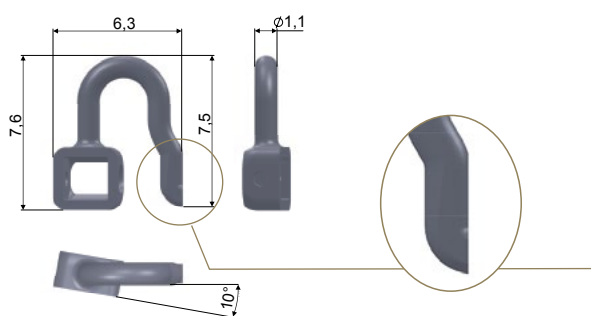
Stem code: OA7559  
 Stem shape: 214  
 Stem Ø 1.10  
 Stem alloy Nickel Silver 18% Ni · CuNi18Zn20  
**MINIBOX**  
 Minibox alloy Nickel Silver 18% Ni · CuNi18Zn20



## PAD ARM

<b>SCREW SYSTEM</b>	03PD92097000
---------------------	--------------

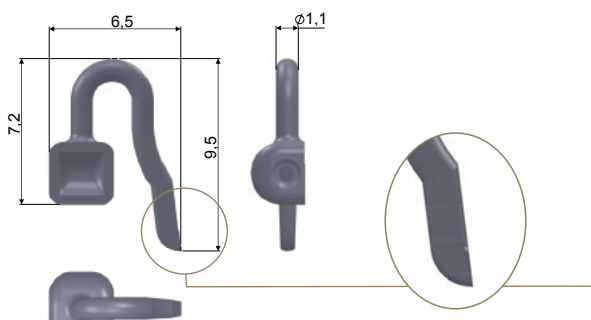
Stem code: ROA0121  
 Stem shape: 214  
 Stem Ø 1.10  
 Stem alloy Nickel Silver 18% Ni · CuNi18Zn20  
**NORMAL BOX**  
 Box alloy Nickel Silver 18% Ni · CuNi18Zn20  
**STAMPED STEM** 0.9 mm AT THE END



## PAD ARM

<b>SCREW SYSTEM</b>	03PD93632000
---------------------	--------------

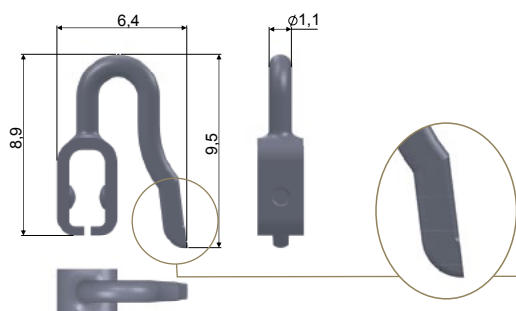
Stem code: ROA0011  
 Stem shape: 214  
 Stem Ø 1.10  
 Stem alloy Nickel Silver 18% Ni · CuNi18Zn20  
**MINIBOX**  
 Box alloy Nickel Silver 18% Ni · CuNi18Zn20  
 Slanted box 10°  
**STAMPED STEM** 0.9 mm AT THE END



## PAD ARM

<b>SCREW SYSTEM</b>	03PD90520000
---------------------	--------------

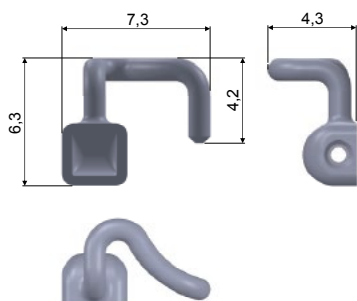
Stem code: ROA0022  
 Stem shape: 214  
 Stem Ø 1.10  
 Stem alloy Nickel Silver 18% Ni · CuNi18Zn20  
**NORMAL BOX**  
 Box Alloy Nickel Silver 18% Ni · CuNi18Zn20  
**STAMPED STEM** 0.7 mm AT THE END



### PAD ARM

<b>CLICK SYSTEM</b>	03PD90479000
---------------------	--------------

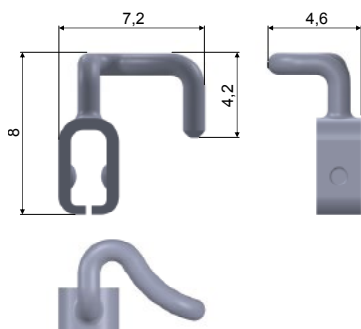
Stem code: ROA0022  
 Stem shape: 214  
 Stem  $\phi$  1.10  
 Stem alloy Nickel Silver 18% Ni · CuNi18Zn20  
**NORMAL BUCKLE**  
 Buckle alloy · CuNi9Sn6  
**STAMPED STEM** 0.7 mm AT THE END



### PAD ARM

<b>SCREW SYSTEM</b>	03PD90505000
---------------------	--------------

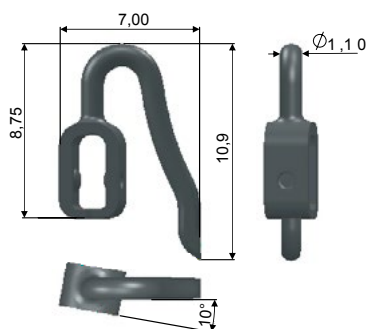
Stem code: OA7380  
 Stem shape: 310  
 Stem  $\phi$  1.10  
 Stem alloy Nickel Silver 18% Ni · CuNi18Zn20  
**NORMAL BOX**  
 Box alloy Nickel Silver 18% Ni · CuNi18Zn20  
 3D shape



### PAD ARM

<b>CLICK SYSTEM</b>	03PD90701000
---------------------	--------------

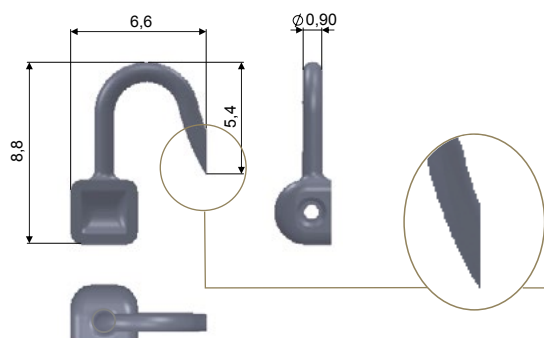
Stem code: OA7380  
 Stem shape: 310  
 Stem  $\phi$  1.10  
 Stem alloy Nickel Silver 18% Ni · CuNi18Zn20  
**NORMAL BUCKLE**  
 Buckle alloy CuNi9Sn6  
 3D shape



### PAD ARM

<b>CLICK SYSTEM</b>	03PD91294000
---------------------	--------------

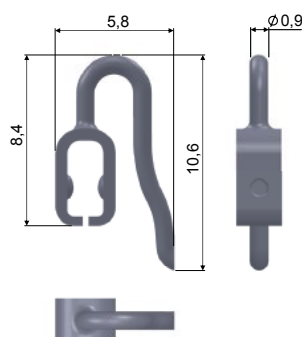
Stem code: OA7523  
 Stem shape: 225  
 Stem  $\phi$  1.10  
 Stem alloy Nickel Silver 18% Ni · CuNi18Zn20  
**NORMAL BUCKLE**  
 Buckle alloy CuNi9Sn6  
 Buckle 10°



**PAD ARM**

<b>SCREW SYSTEM</b>	18PD90530000
---------------------	--------------

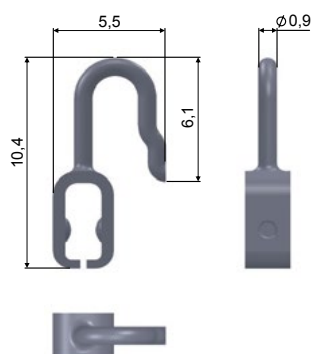
Stem code: OA7530  
 Stem shape: 207  
 Stem  $\varnothing$  0.9  
 Stem alloy Monel · NiCu30Fe  
**NORMAL BOX**  
 Box alloy Nickel Silver 18% Ni · CuNi18Zn20  
**STAMPED STEM** 0.8 mm AT THE END



**PAD ARM**

<b>CLICK SYSTEM</b>	18PD90538000
---------------------	--------------

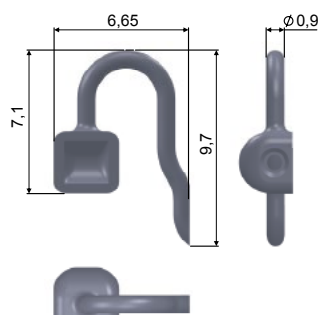
Stem code: OA7385  
 Stem shape: 214  
 Stem  $\varnothing$  0.9  
 Stem alloy Monel · NiCu30Fe  
**NORMAL BUCKLE**  
 Buckle alloy CuNi9Sn6



**PAD ARM**

<b>CLICK SYSTEM</b>	18PD91098000
---------------------	--------------

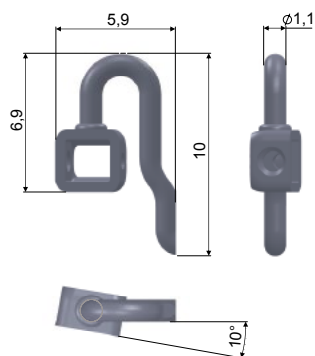
Stem code: OA7575  
 Stem shape: 214  
 Stem  $\varnothing$  0.9  
 Stem alloy Monel · NiCu30Fe  
**NORMAL BUCKLE**  
 Buckle alloy CuNi9Sn6



**PAD ARM**

<b>SCREW SYSTEM</b>	18PD90537000
---------------------	--------------

Stem code: OA7570  
 Stem shape: 214  
 Stem  $\varnothing$  0.9  
 Stem alloy Monel · NiCu30Fe  
**NORMAL BOX**  
 Box alloy Nickel Silver 18% Ni · CuNi18Zn20



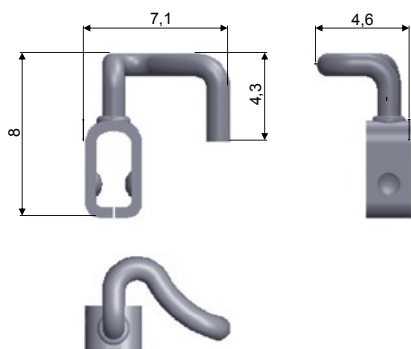
### PAD ARM

<b>SCREW SYSTEM</b>	31PD90584000
---------------------	--------------

Stem code: OA7579  
 Stem shape: 214  
 Stem  $\varnothing$  1.10  
 Stem alloy Titanium

### MINIBOX

Minibox alloy Titanium  
 Slanted minibox 10°



### PAD ARM

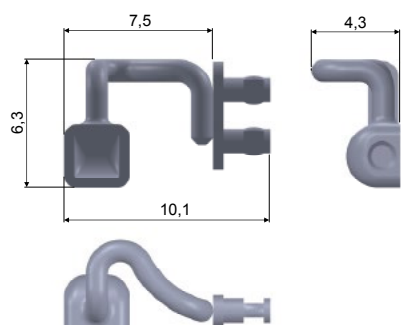
<b>SCREW SYSTEM</b>	31PDB0794A1BY0
---------------------	----------------

Stem code: B0793  
 Stem shape: 310  
 Stem  $\varnothing$  1.10  
 Stem alloy Titanium

### NORMAL BOX

Box alloy Titanium

## NICKEL SILVER 18% Ni MATERIAL for plastic frames



### PAD ARM

<b>SCREW SYSTEM</b>	03PD90900000
---------------------	--------------

Stem code: OA7380  
Stem shape: 310  
Stem  $\varnothing$  1.10  
Stem alloy Nickel Silver 18% Ni · CuNi18Zn20

**NORMAL BOX**  
Box alloy Nickel Silver 18% Ni · CuNi18Zn20  
3D shape  
FOR PLASTIC FRAMES





# FEATURED PRODUCTS

Upon request

## Features

- High quality materials from reliable sources
- Certified processes to outperform the highest standards



## FEATURED PRODUCTS

### Examples of customized products



EXAMPLE 1



EXAMPLE 2



EXAMPLE 3



EXAMPLE 4



EXAMPLE 5



EXAMPLE 6

## FEATURED PRODUCTS

### Examples of customized products



EXAMPLE 7



EXAMPLE 8



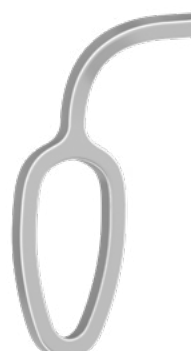
EXAMPLE 9



EXAMPLE 10



EXAMPLE 11



EXAMPLE 12

FOLLOW US ON YOUTUBE



[www.visotticagroup.com](http://www.visotticagroup.com)



**Visottica Industrie S.p.a.**

Via Vecchia Trevigiana, 11  
31058 Susegana  
(Treviso), Italy  
Tel +39 0438 6551  
Fax +39 0438 450 855

**O'Reilly Industrial Ltd.**

Rm 302, Shui Hing Centre,  
13 Sheung Yuet Road,  
Kowloon Bay, Kowloon, Hong Kong  
Tel +852 2796 6010  
Fax +852 2796 4631

[sales@visotticagroup.com](mailto:sales@visotticagroup.com)

[visotticagroup.com](http://visotticagroup.com)